

STAR WARS

SHATTERPOINT™

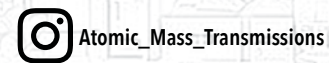
SWP01 (A)-ANAKIN

READ THIS FIRST

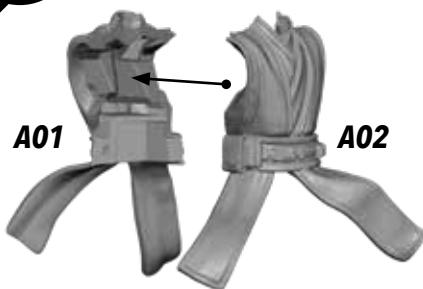
Be sure to use a pair of sharp hobby clippers to remove the miniature components from the sprue. Carefully clean the excess material and mold lines with a sharp hobby knife. Check the fit of each part before gluing. Use a small amount of hobby plastic glue to assemble the components. Use caution with all products and follow all manufacturer instructions. Adult supervision is recommended for children under the age of 16. Have fun!

JOIN THE COMMUNITY

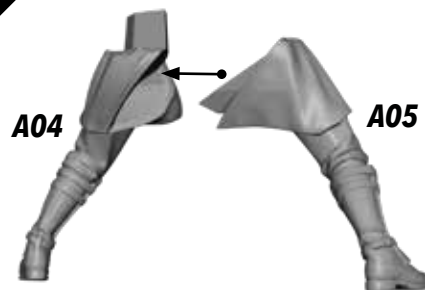
Use #ShatterPaint to share your miniature photos and be a part of the Star Wars™: Shatterpoint community!



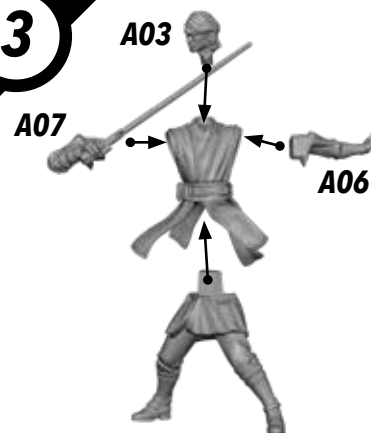
1



2



3



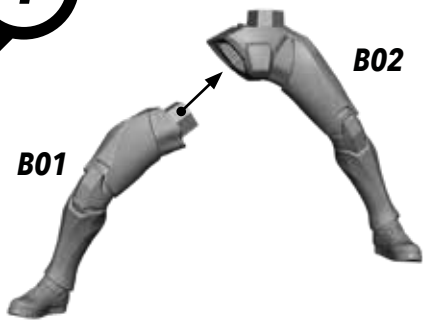
FINAL



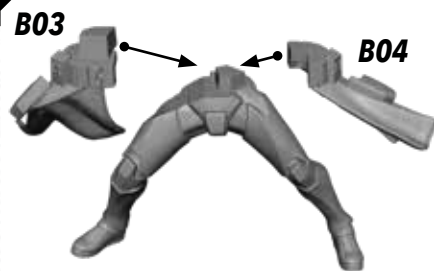
ALL PARTS SHOULD BE ASSEMBLED USING PLASTIC GLUE. PERMISSION GRANTED TO PRINT OR PHOTOCOPY FOR PERSONAL USE.

SWP01 (B)-REX

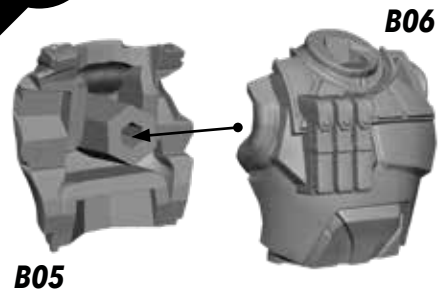
1



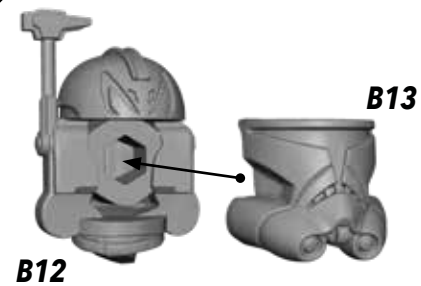
2



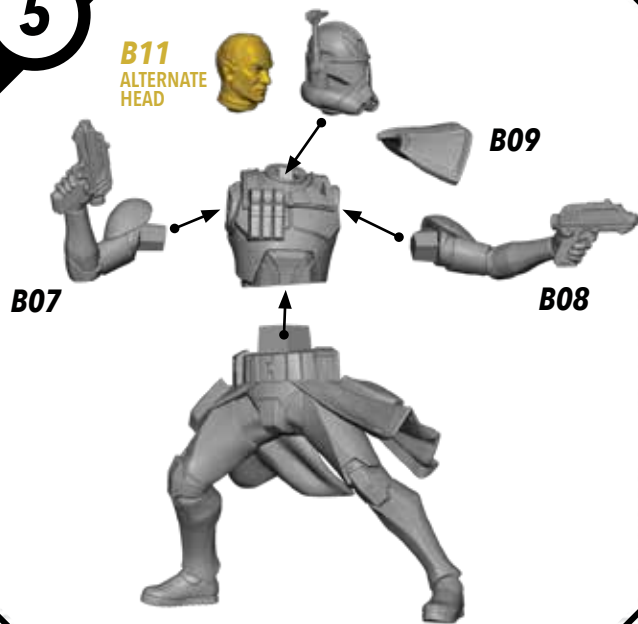
3



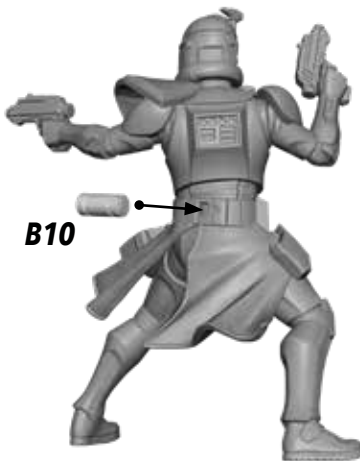
4



5



6

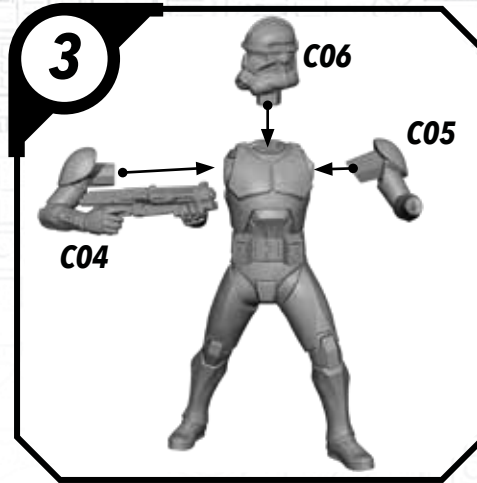
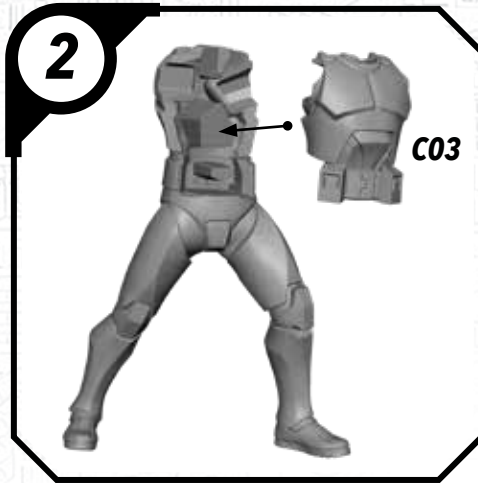
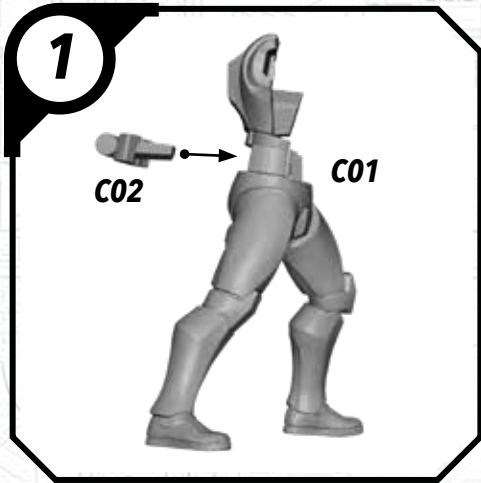


FINAL

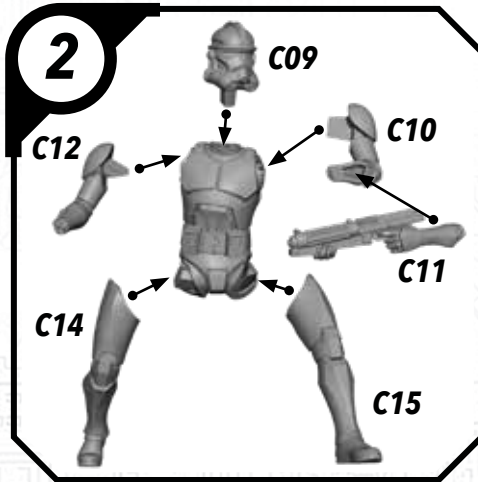
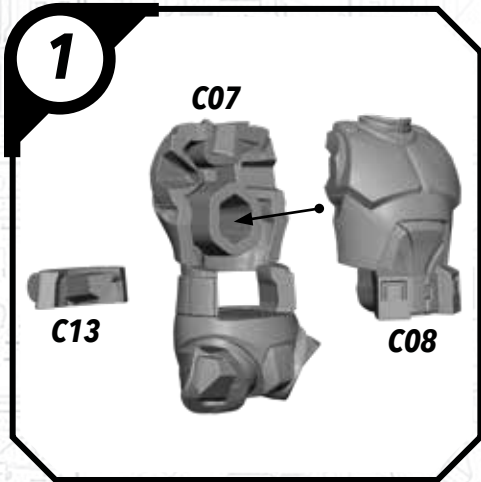


ALL PARTS SHOULD BE ASSEMBLED USING PLASTIC GLUE. PERMISSION GRANTED TO PRINT OR PHOTOCOPY FOR PERSONAL USE.

SWP01 (C)-CLONE TROOPERS (POSE A)



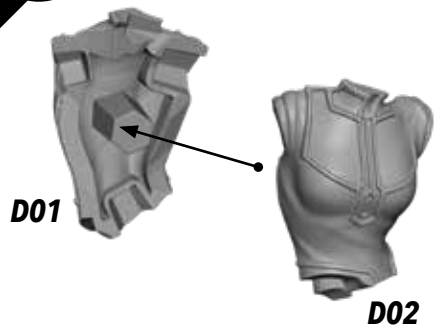
SWP01 (C)-CLONE TROOPER (POSE B)



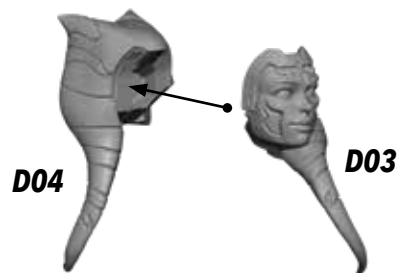
ALL PARTS SHOULD BE ASSEMBLED USING PLASTIC GLUE. PERMISSION GRANTED TO PRINT OR PHOTOCOPY FOR PERSONAL USE.

SWP01 (D)-AHSOKA

1



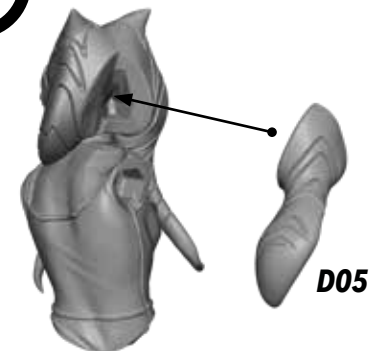
2



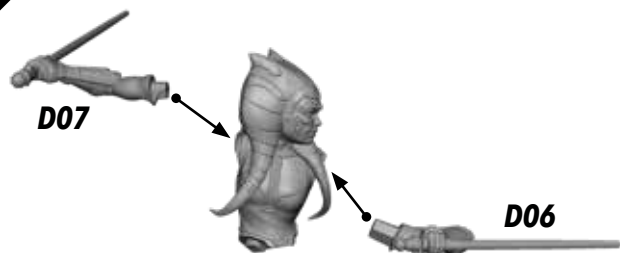
3



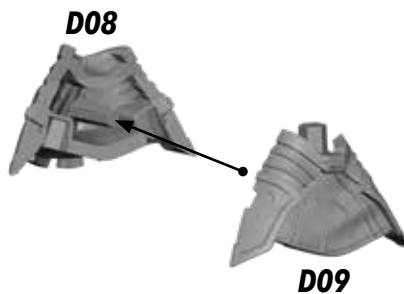
4



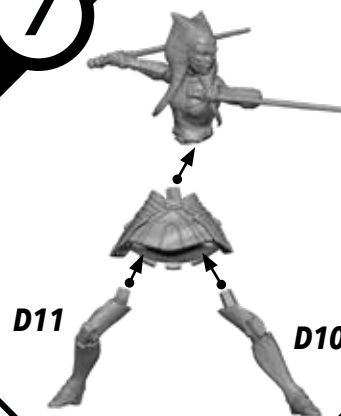
5



6



7



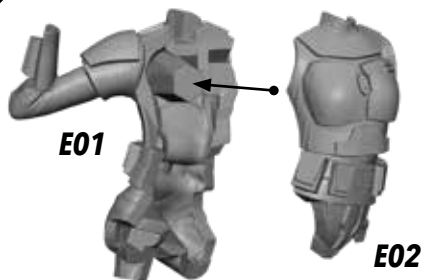
FINAL



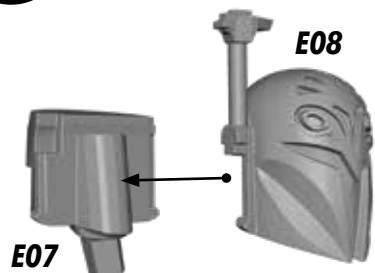
ALL PARTS SHOULD BE ASSEMBLED USING PLASTIC GLUE. PERMISSION GRANTED TO PRINT OR PHOTOCOPY FOR PERSONAL USE.

SWP01 (E)-BO-KATAN

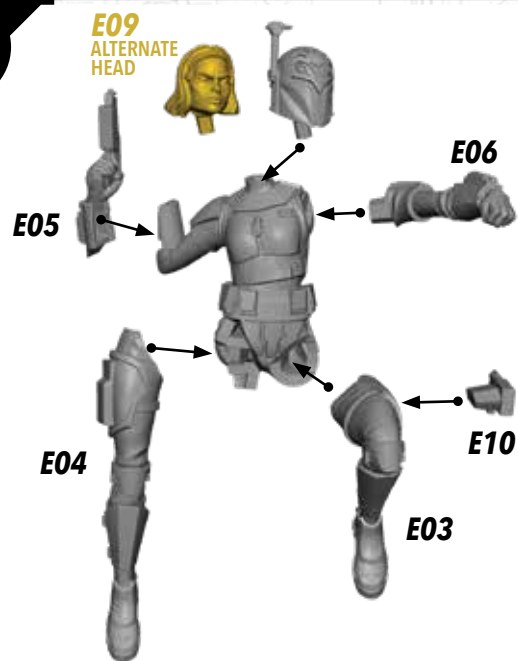
1



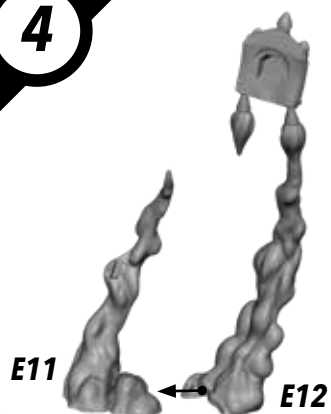
2



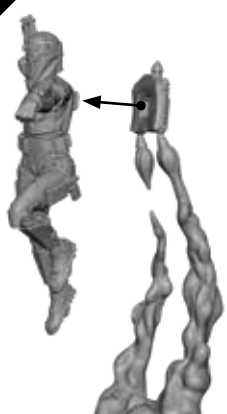
3



4



5



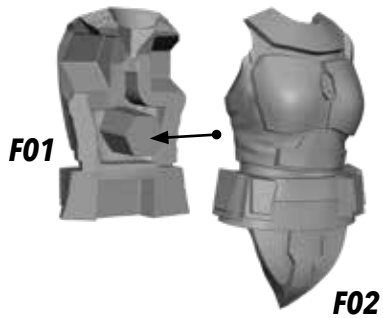
FINAL



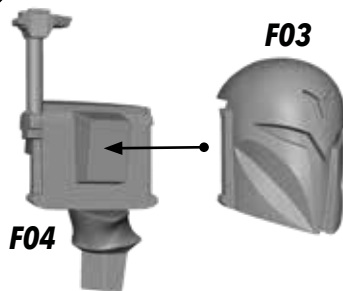
ALL PARTS SHOULD BE ASSEMBLED USING PLASTIC GLUE. PERMISSION GRANTED TO PRINT OR PHOTOCOPY FOR PERSONAL USE.

SWP01 (F)-CLAN KRYZE MANDALORIANS (FEMALE)

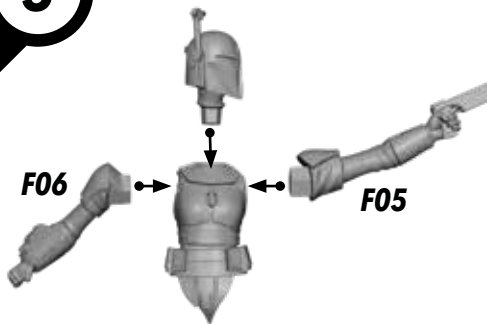
1



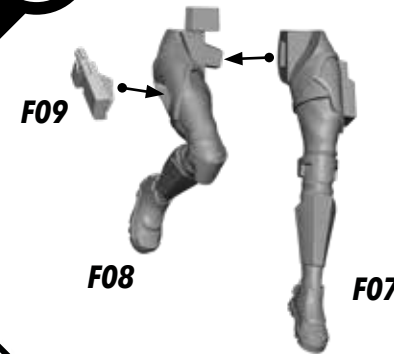
2



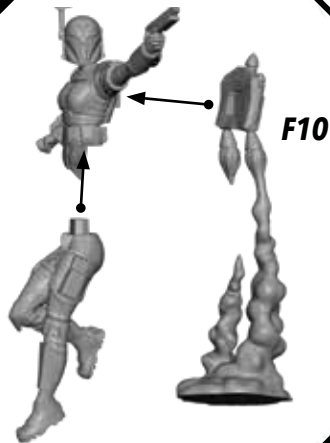
3



4



5



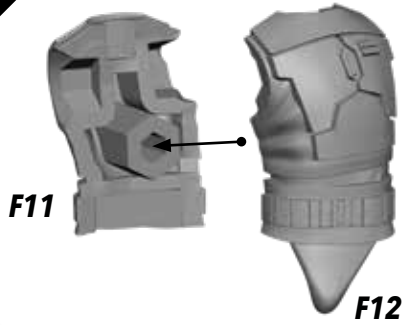
FINAL



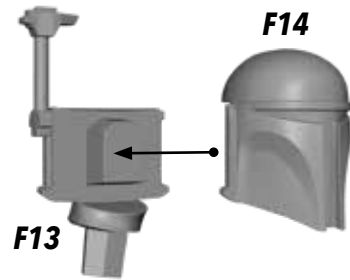
ALL PARTS SHOULD BE ASSEMBLED USING PLASTIC GLUE. PERMISSION GRANTED TO PRINT OR PHOTOCOPY FOR PERSONAL USE.

SWP01 (F)-CLAN KRYZE MANDALORIANS (MALE)

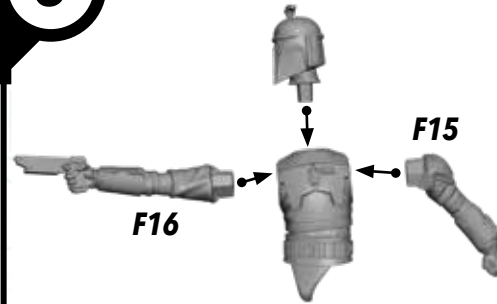
1



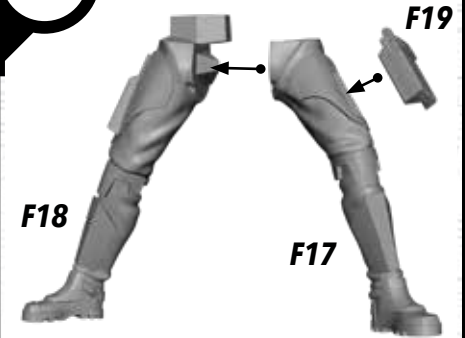
2



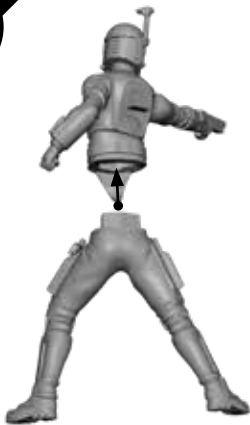
3



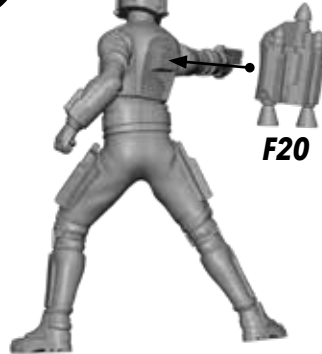
4



5



6



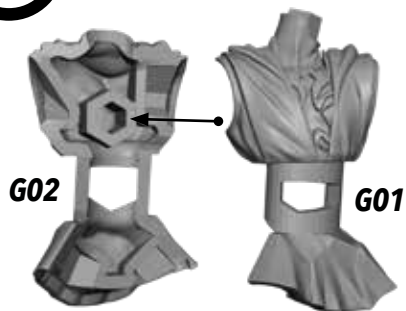
FINAL



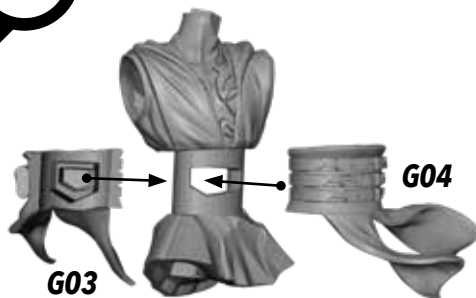
ALL PARTS SHOULD BE ASSEMBLED USING PLASTIC GLUE. PERMISSION GRANTED TO PRINT OR PHOTOCOPY FOR PERSONAL USE.

SWP01 (G)-LORD MAUL

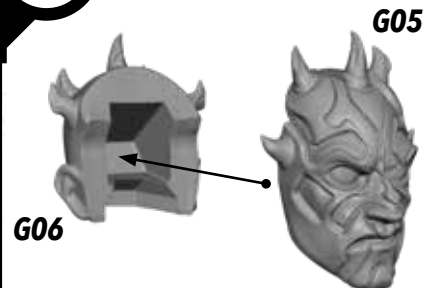
1



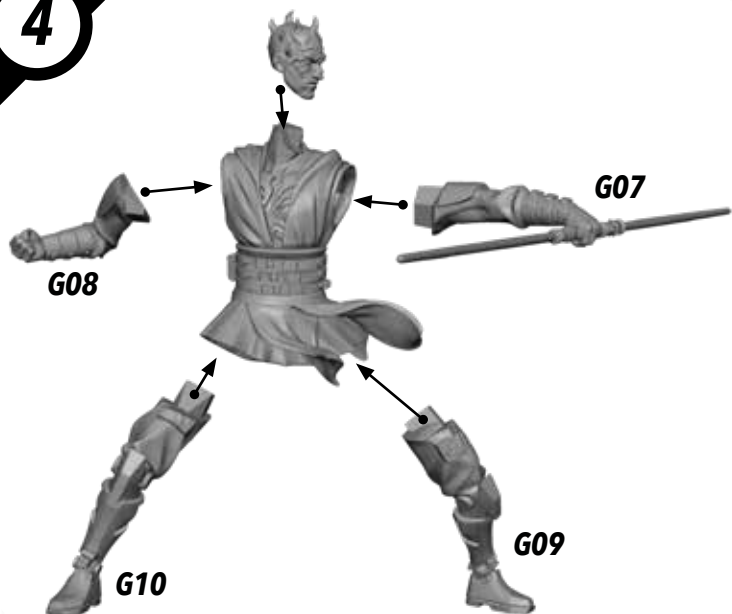
2



3



4

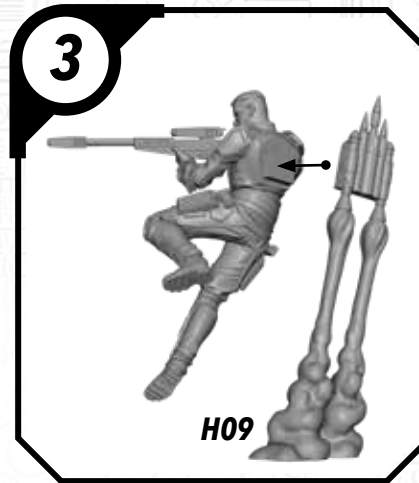
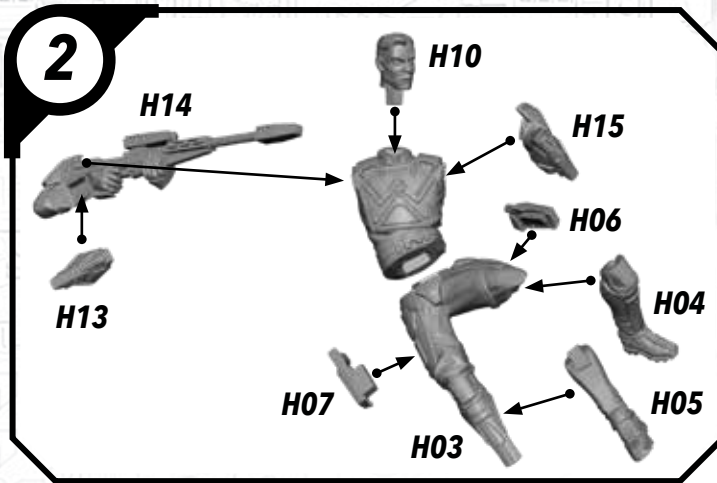
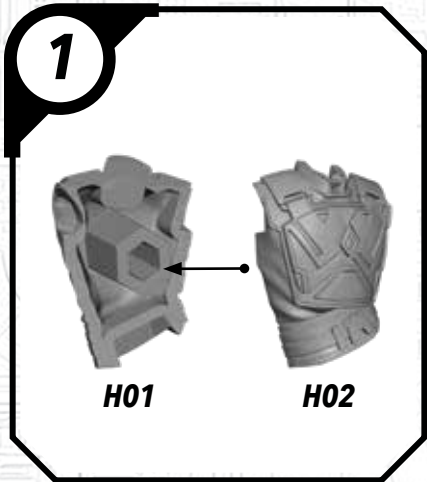


FINAL

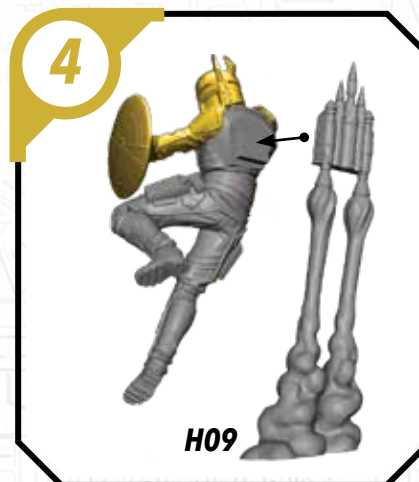
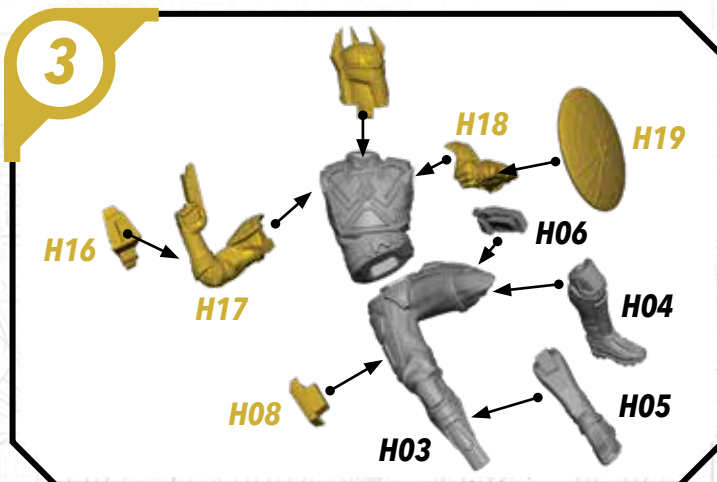
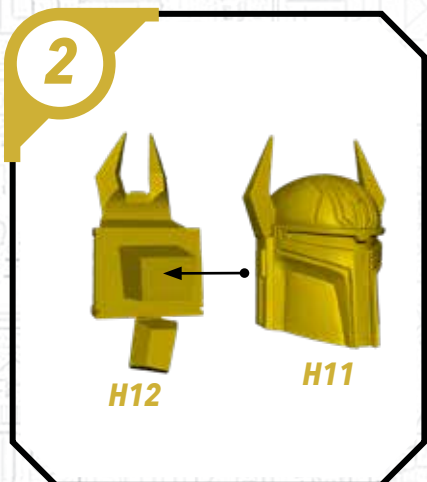


ALL PARTS SHOULD BE ASSEMBLED USING PLASTIC GLUE. PERMISSION GRANTED TO PRINT OR PHOTOCOPY FOR PERSONAL USE.

SWP01 (H)-GAR SAXON



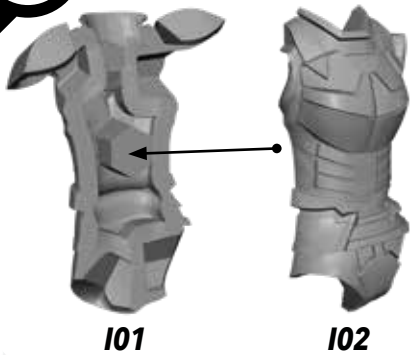
ALTERNATE
ASSEMBLY



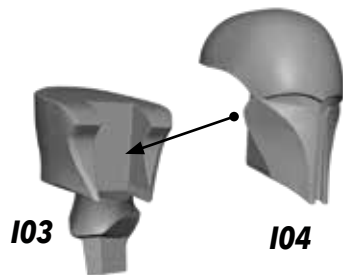
ALL PARTS SHOULD BE ASSEMBLED USING PLASTIC GLUE. PERMISSION GRANTED TO PRINT OR PHOTOCOPY FOR PERSONAL USE.

SWP01 (I)-SUPER COMMANDOS (FEMALE)

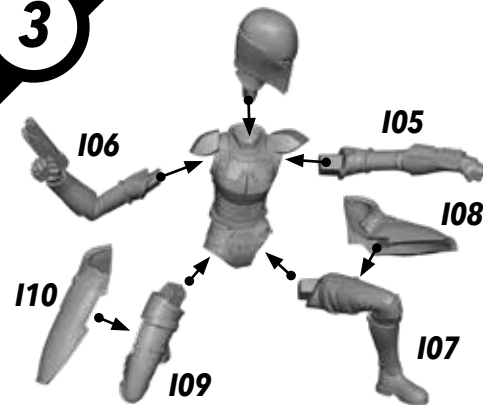
1



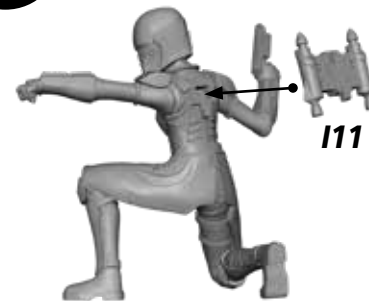
2



3



4



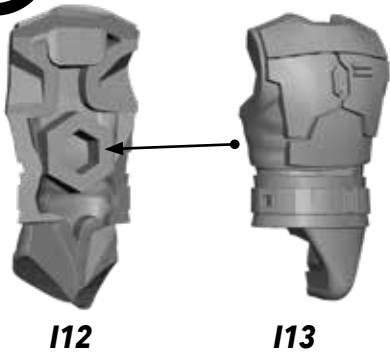
FINAL



ALL PARTS SHOULD BE ASSEMBLED USING PLASTIC GLUE. PERMISSION GRANTED TO PRINT OR PHOTOCOPY FOR PERSONAL USE.

SWP01 (I)-SUPER COMMANDOS (MALE)

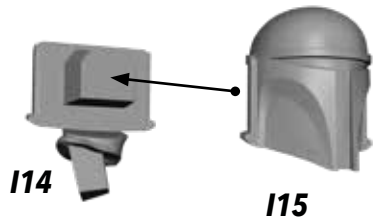
1



I12

I13

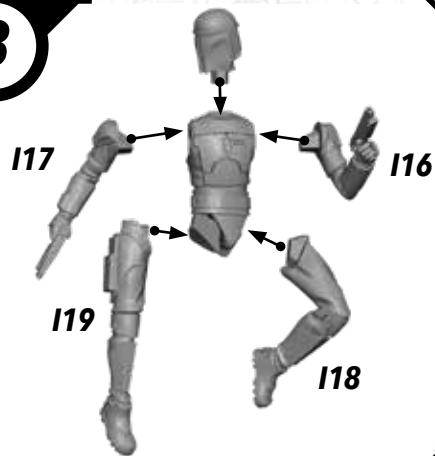
2



I14

I15

3



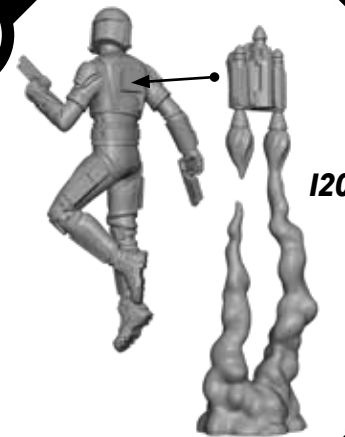
I17

I16

I19

I18

4



I20

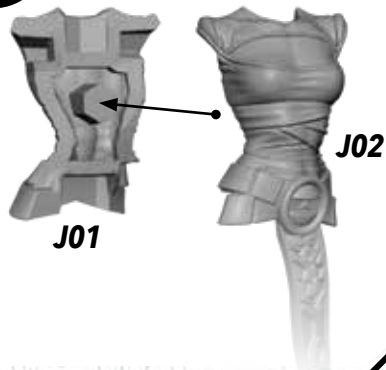
FINAL



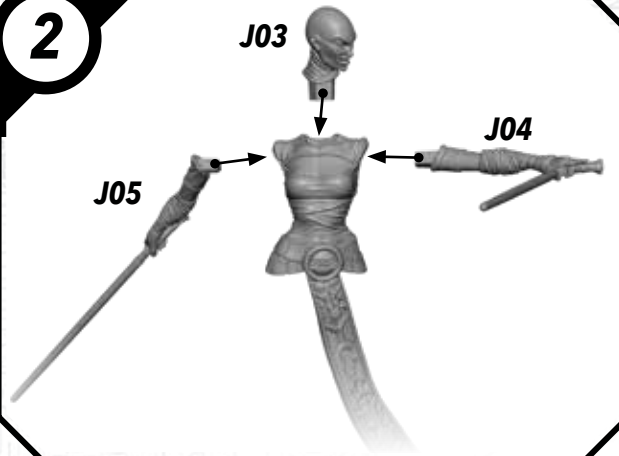
ALL PARTS SHOULD BE ASSEMBLED USING PLASTIC GLUE. PERMISSION GRANTED TO PRINT OR PHOTOCOPY FOR PERSONAL USE.

SWP01 (J)-ASAJJ VENTRESS

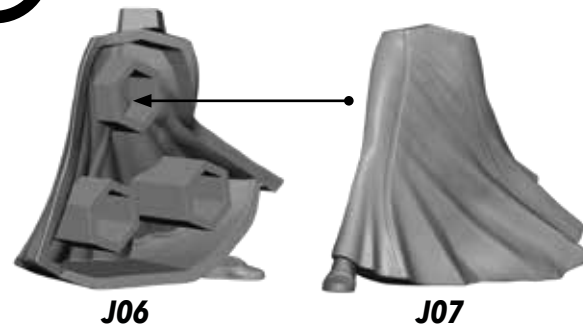
1



2



3



4



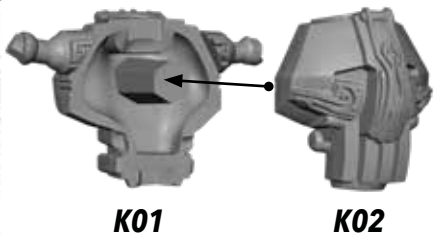
FINAL



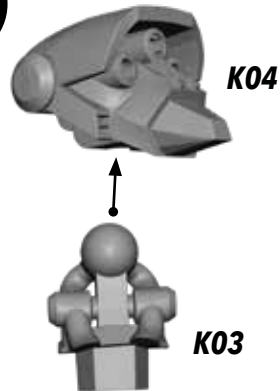
ALL PARTS SHOULD BE ASSEMBLED USING PLASTIC GLUE. PERMISSION GRANTED TO PRINT OR PHOTOCOPY FOR PERSONAL USE.

SWP01 (K)-KALANI

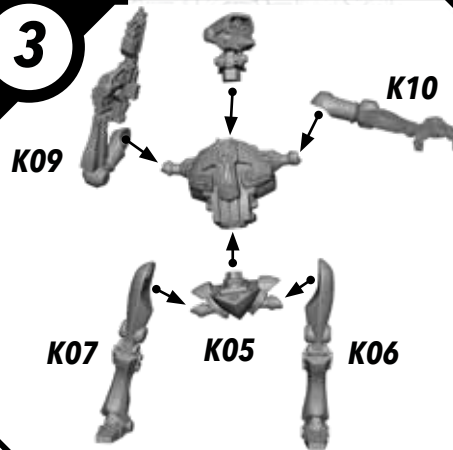
1



2



3

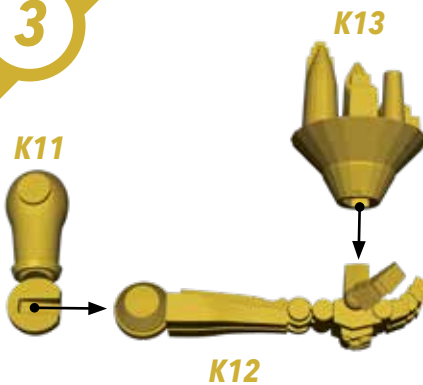


FINAL

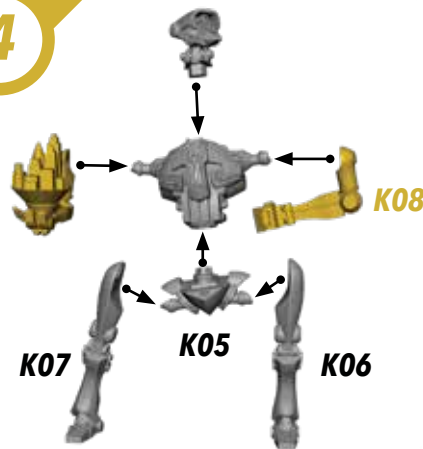


ALTERNATE
ASSEMBLY

3



4

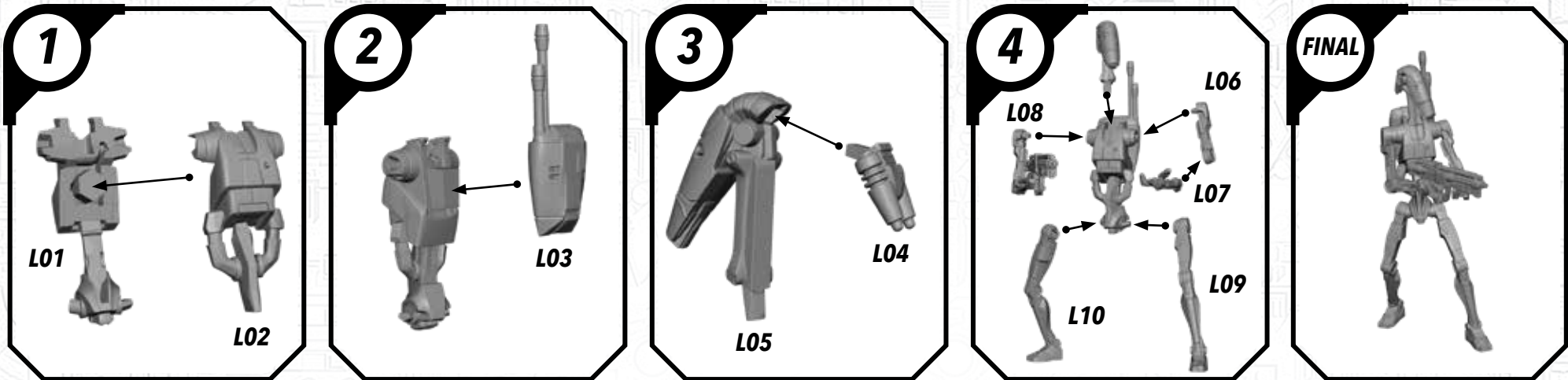


FINAL

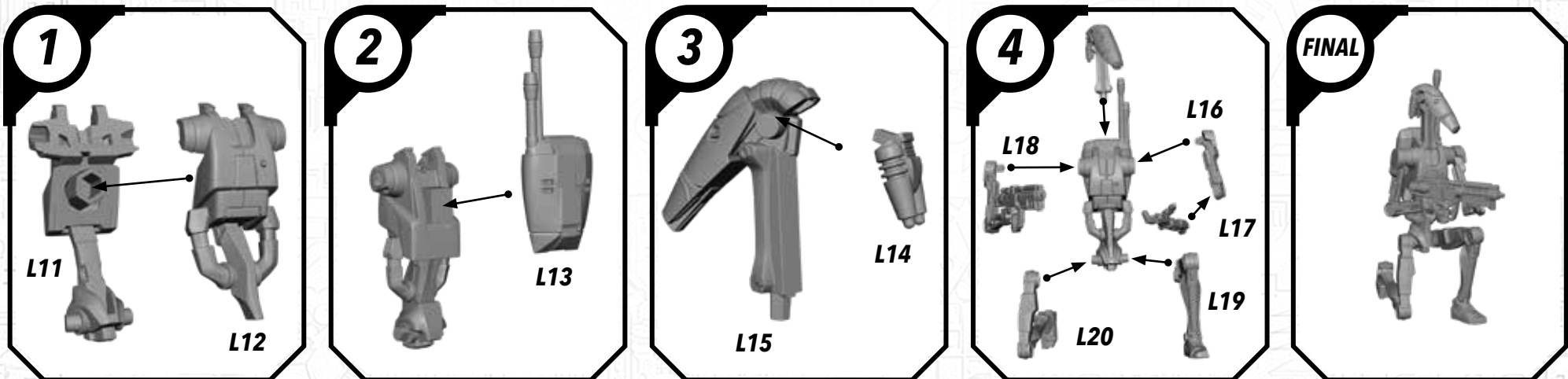


ALL PARTS SHOULD BE ASSEMBLED USING PLASTIC GLUE. PERMISSION GRANTED TO PRINT OR PHOTOCOPY FOR PERSONAL USE.

SWP01 (L)-B1 BATTLE DROIDS (A)

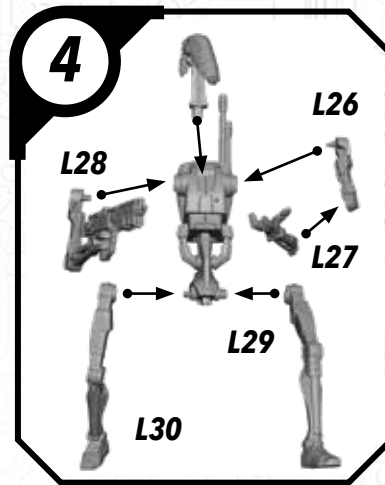
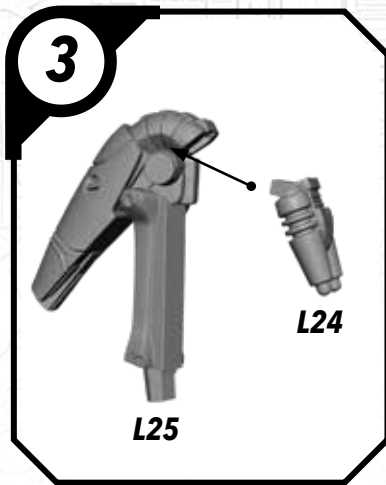
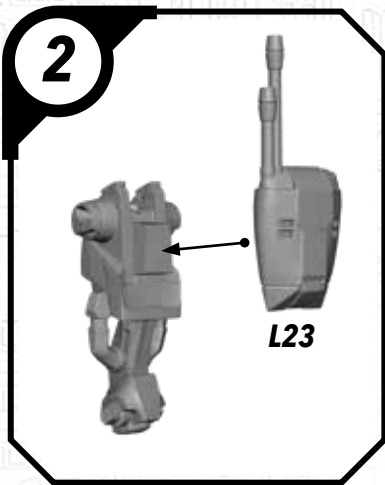
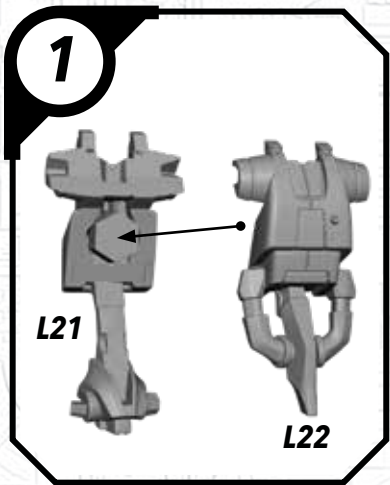


SWP01 (L)-B1 BATTLE DROIDS (B)



ALL PARTS SHOULD BE ASSEMBLED USING PLASTIC GLUE. PERMISSION GRANTED TO PRINT OR PHOTOCOPY FOR PERSONAL USE.

SWP01 (L)-B1 BATTLE DROIDS (C)



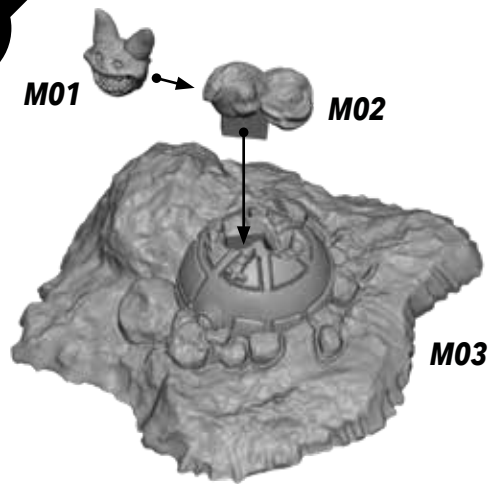
SWP01 (L)-BATTLE DROIDS FINAL ASSEMBLY



ALL PARTS SHOULD BE ASSEMBLED USING PLASTIC GLUE. PERMISSION GRANTED TO PRINT OR PHOTOCOPY FOR PERSONAL USE.

SWP01 (M)-TOOKA

1

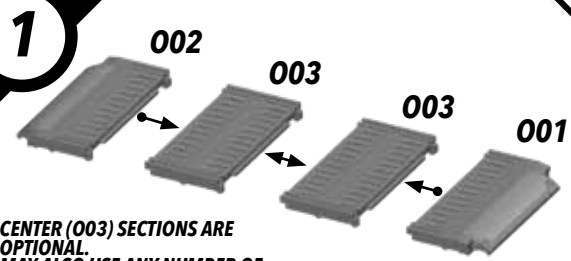


FINAL



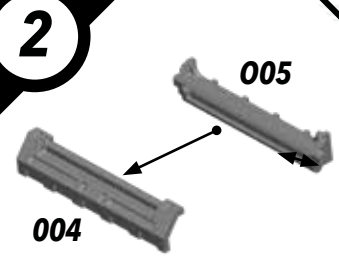
ALL PARTS SHOULD BE ASSEMBLED USING PLASTIC GLUE. PERMISSION GRANTED TO PRINT OR PHOTOCOPY FOR PERSONAL USE.

SWP01 (0)-GANTRIES

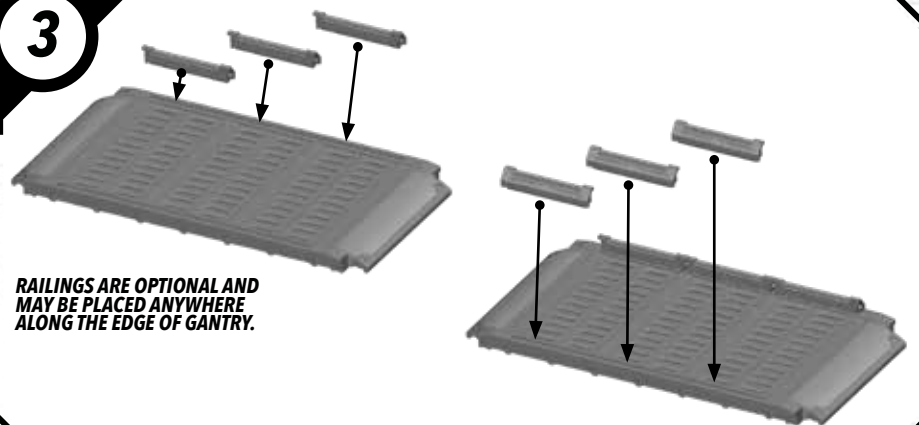


CENTER (003) SECTIONS ARE OPTIONAL. MAY ALSO USE ANY NUMBER OF CENTER SECTIONS.

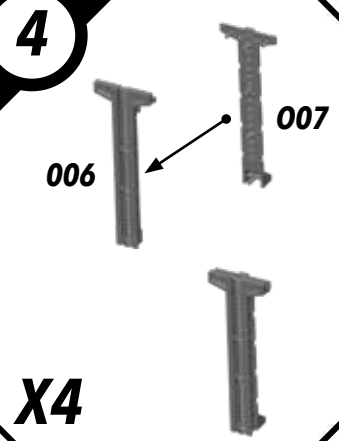
ASSEMBLY WITH BOTH SECTIONS.



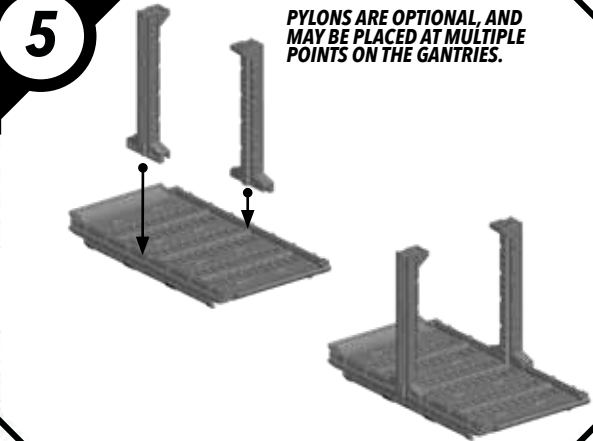
X6



RAILINGS ARE OPTIONAL AND MAY BE PLACED ANYWHERE ALONG THE EDGE OF GANTRY.



X4



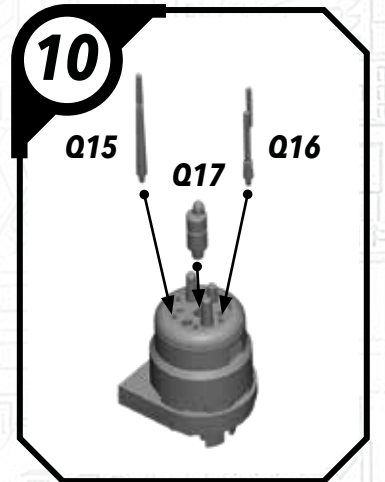
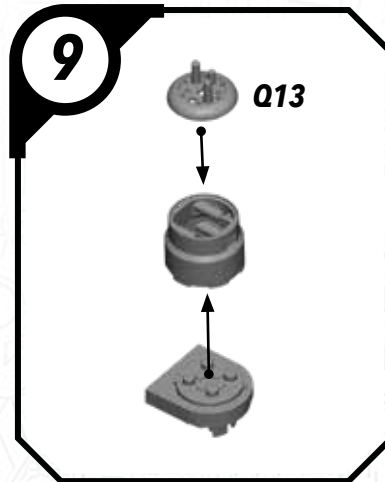
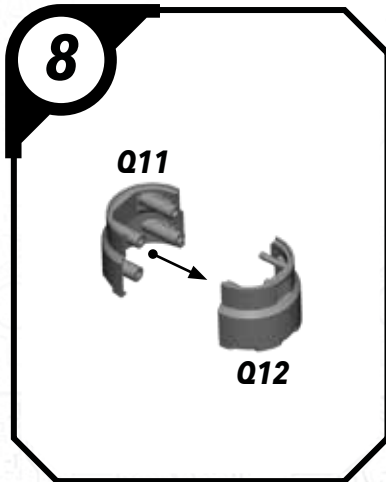
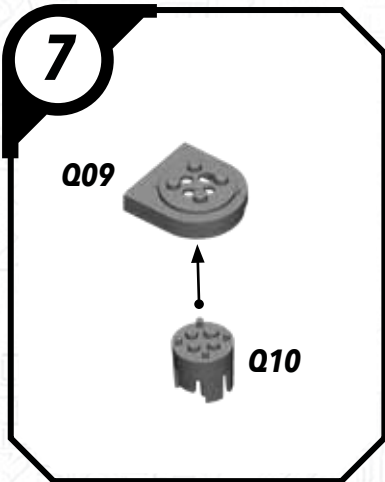
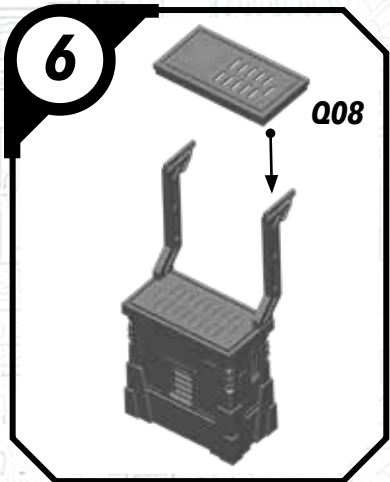
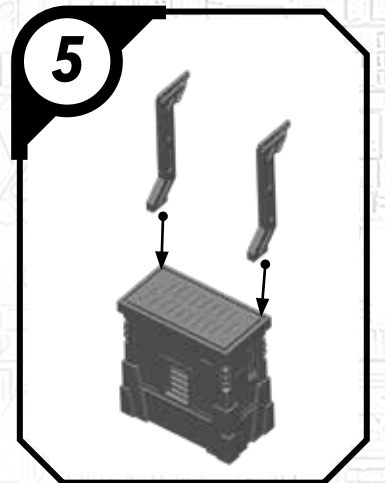
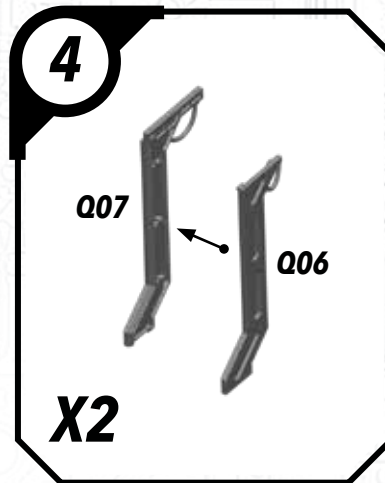
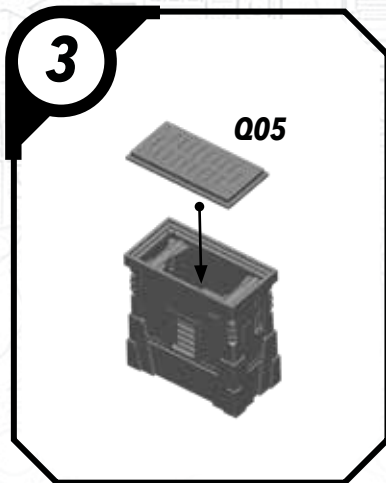
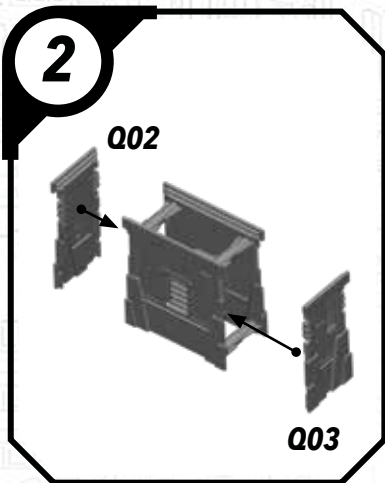
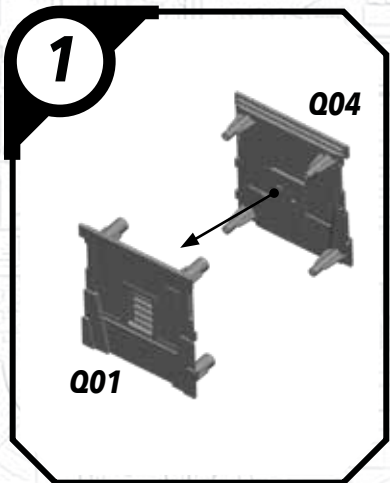
PYLONS ARE OPTIONAL, AND MAY BE PLACED AT MULTIPLE POINTS ON THE GANTRIES.



FINAL

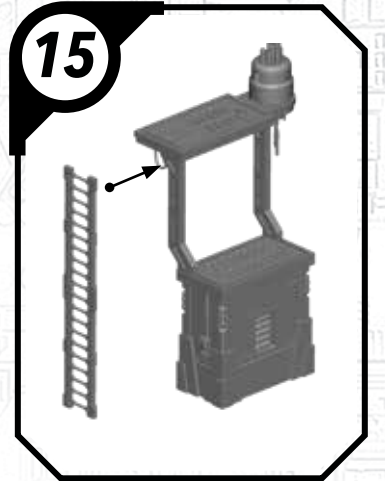
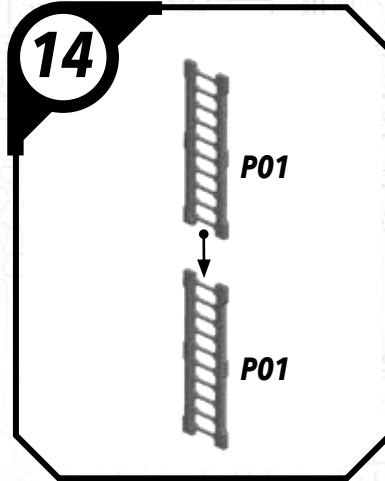
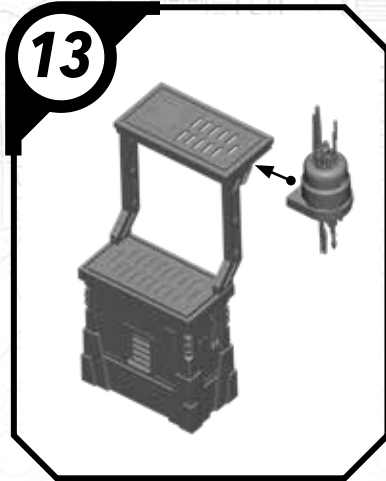
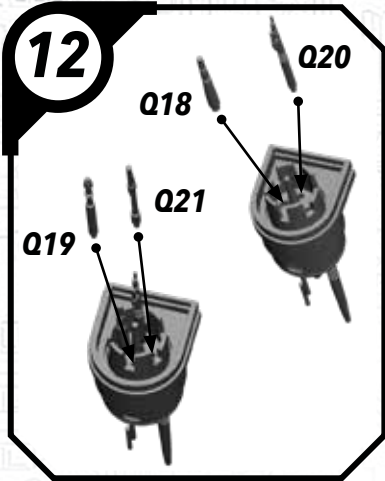
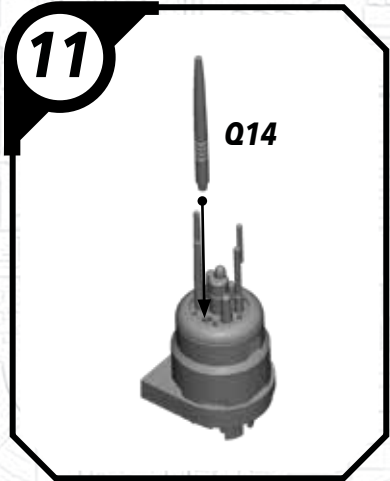
ALL PARTS SHOULD BE ASSEMBLED USING PLASTIC GLUE. PERMISSION GRANTED TO PRINT OR PHOTOCOPY FOR PERSONAL USE.

SWP01 (Q)-TOWER

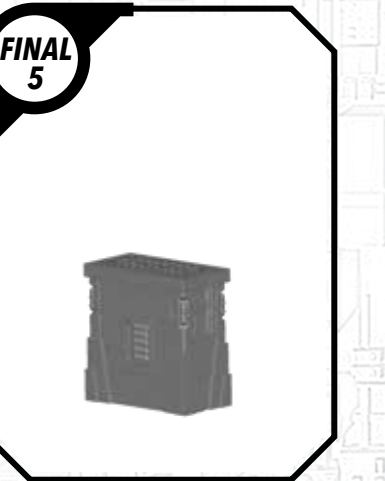
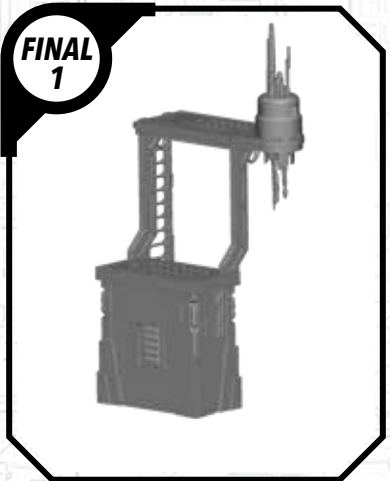


ALL PARTS SHOULD BE ASSEMBLED USING PLASTIC GLUE. PERMISSION GRANTED TO PRINT OR PHOTOCOPY FOR PERSONAL USE.

SWP01 (Q)-TOWER (CONT.)

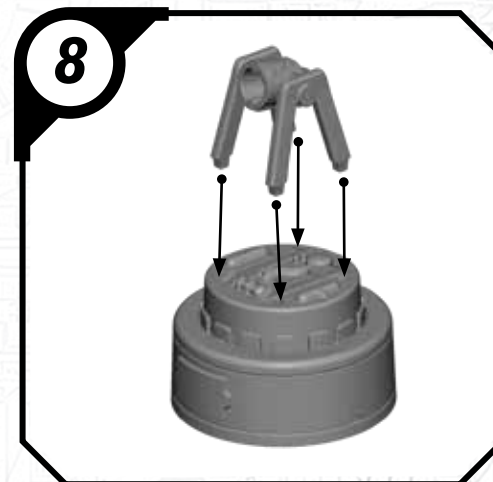
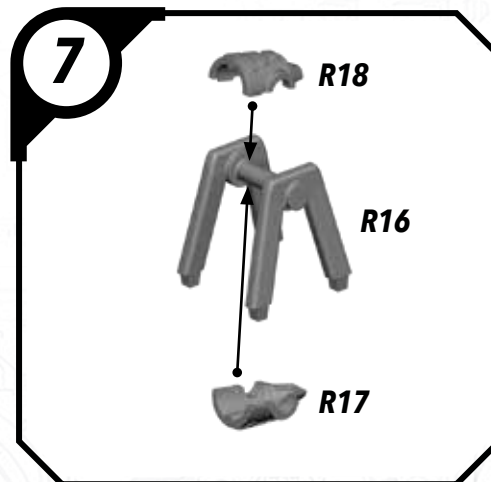
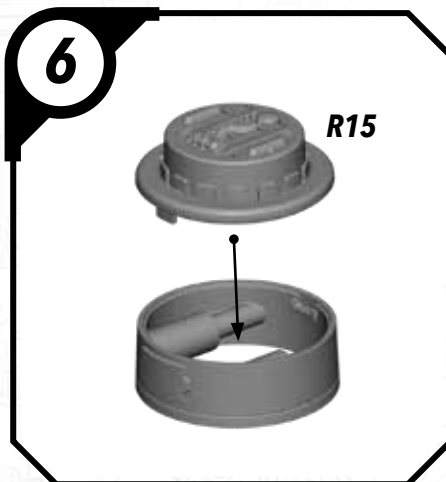
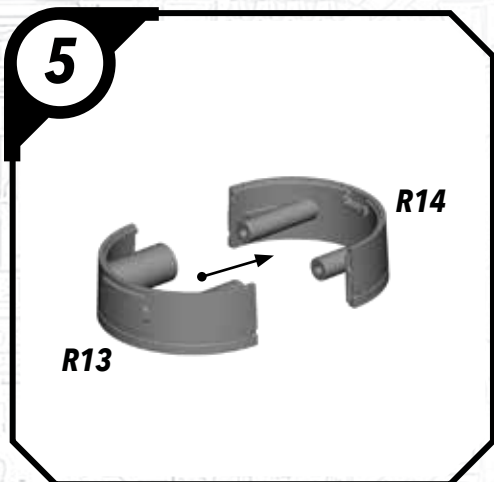
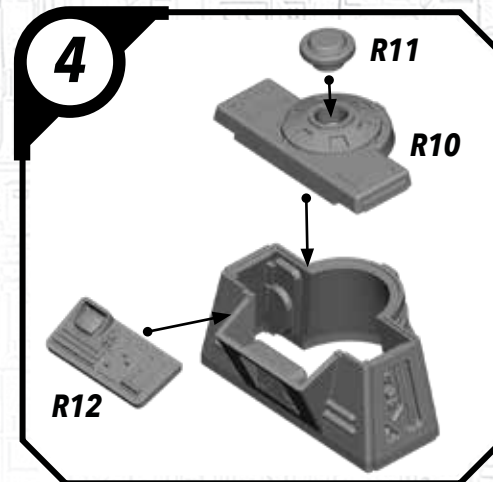
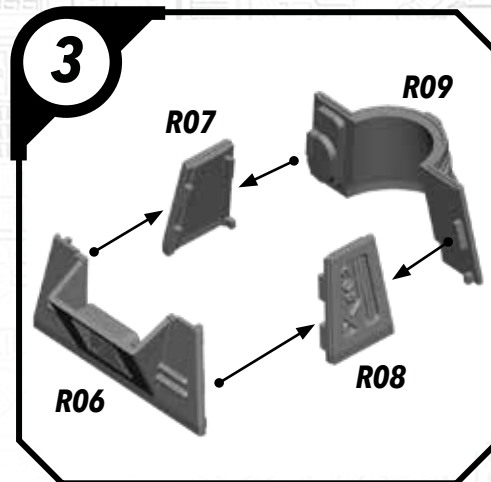
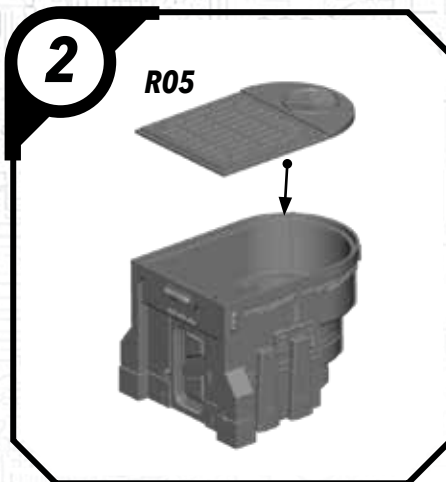
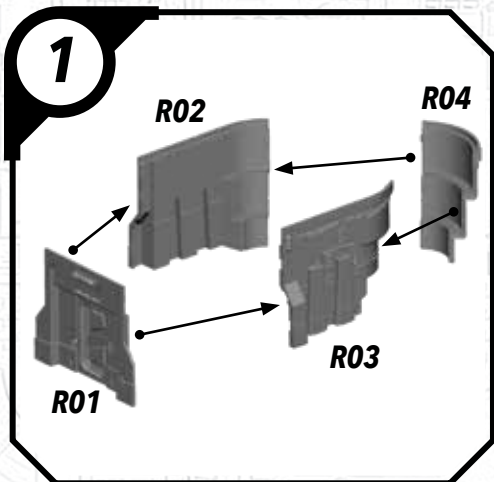


SWP01 (Q)-TOWER (ASSEMBLY OPTIONS)



ALL PARTS SHOULD BE ASSEMBLED USING PLASTIC GLUE. PERMISSION GRANTED TO PRINT OR PHOTOCOPY FOR PERSONAL USE.

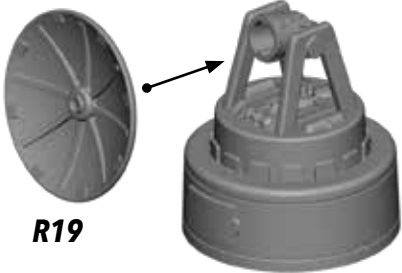
SWP01 (R)-TECH SHED



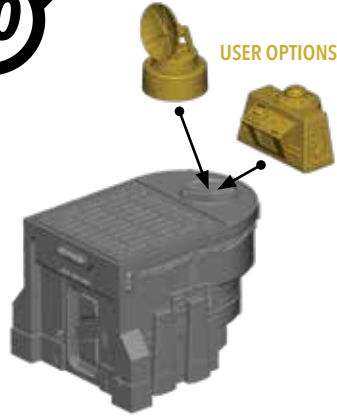
ALL PARTS SHOULD BE ASSEMBLED USING PLASTIC GLUE. PERMISSION GRANTED TO PRINT OR PHOTOCOPY FOR PERSONAL USE.

SWP01 (R)-TECH SHED (CONT.)

9



10



SWP01 (R)-ASSEMBLY OPTIONS

FINAL
1



FINAL
2

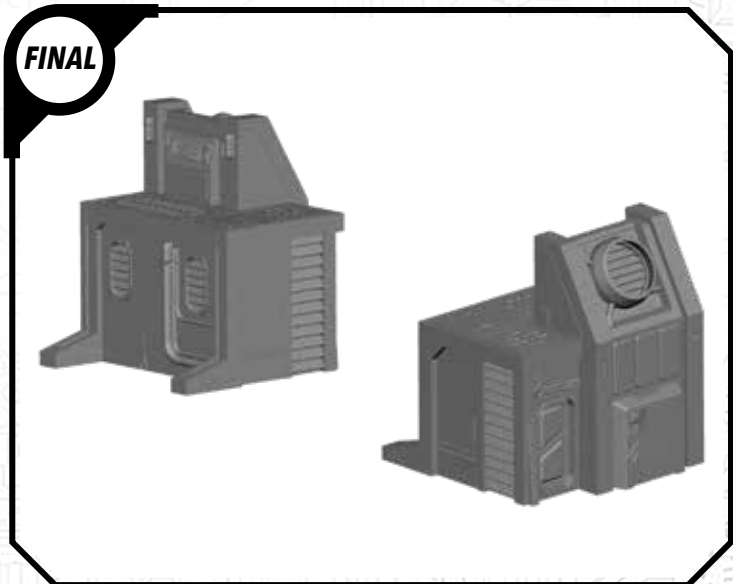
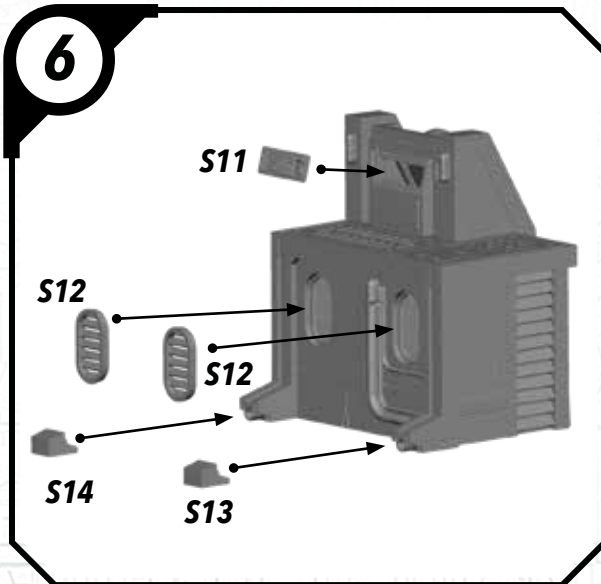
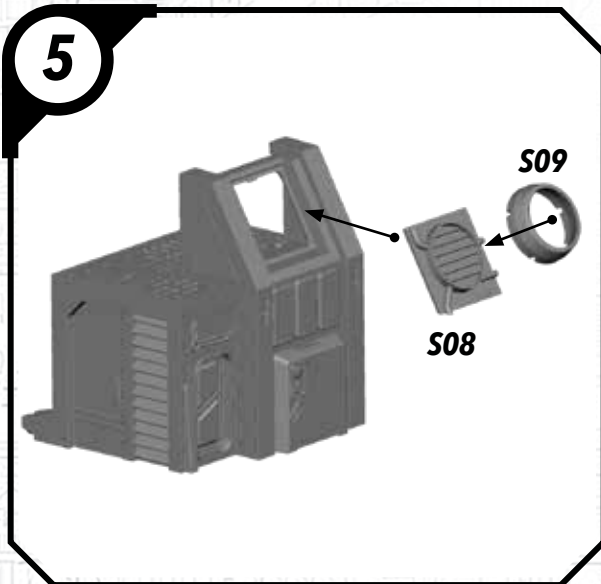
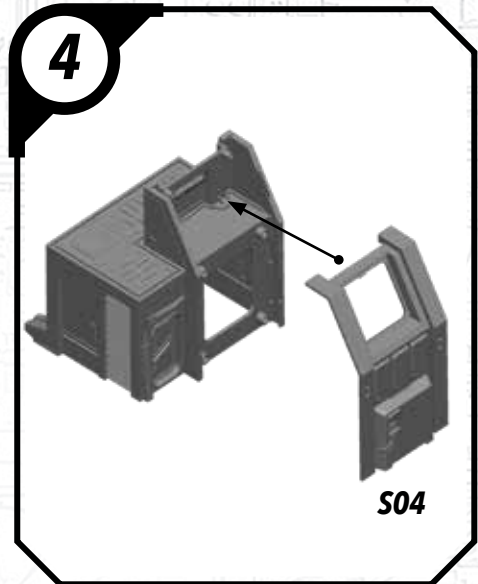
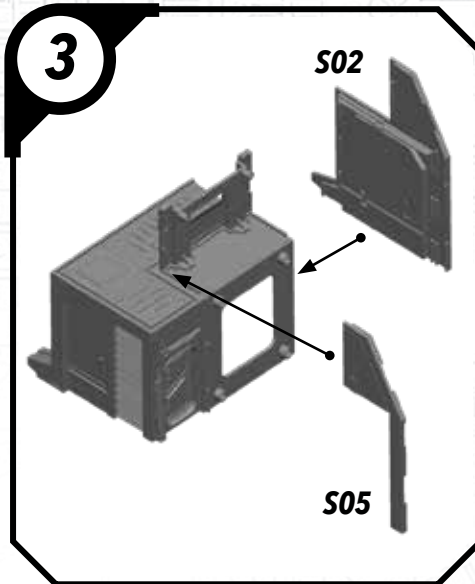
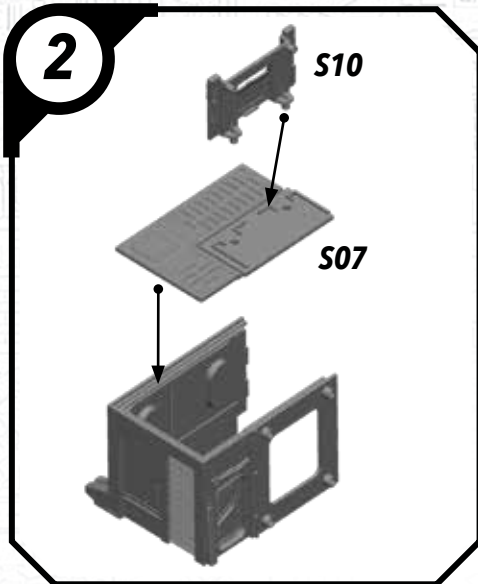
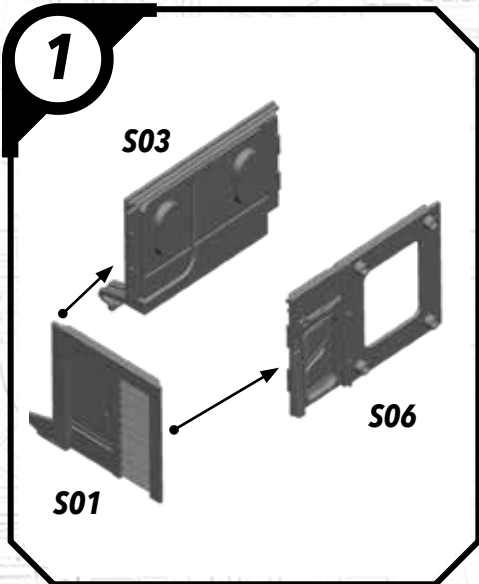


FINAL
3



ALL PARTS SHOULD BE ASSEMBLED USING PLASTIC GLUE. PERMISSION GRANTED TO PRINT OR PHOTOCOPY FOR PERSONAL USE.

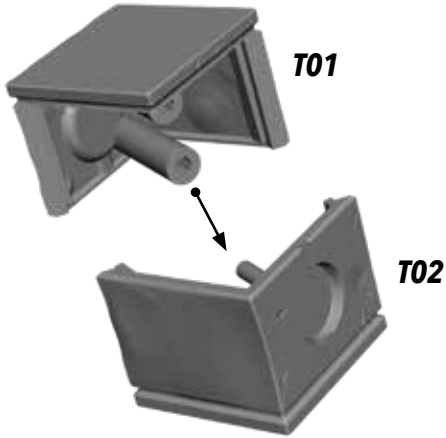
SWP01 (S) VENT BUILDING



ALL PARTS SHOULD BE ASSEMBLED USING PLASTIC GLUE. PERMISSION GRANTED TO PRINT OR PHOTOCOPY FOR PERSONAL USE.

SWP01 (T) CRATE

1



FINAL



ALL PARTS SHOULD BE ASSEMBLED USING PLASTIC GLUE. PERMISSION GRANTED TO PRINT OR PHOTOCOPY FOR PERSONAL USE.