

STAR WARS™

LEGION™

CHEWBACCA
SWL138 ASSEMBLY

READ THIS FIRST

Be sure to use a pair of sharp hobby clippers to remove the miniature components from the sprue. Carefully clean the excess material and mold lines with a sharp hobby knife. Check the fit of each part before gluing. Use a small amount of hobby plastic glue to assemble the components. Use caution with all products and follow all manufacturer instructions. Adult supervision is recommended for children under the age of 16. Have fun!

JOIN THE COMMUNITY

Use #MyStarWarsLegion to share your miniature photos and be a part of the *Star Wars: Legion* community!



AtomicMassGames



AtomicMassGames



Atomic_Mass_Transmissions

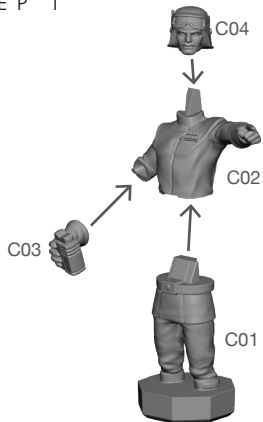
STEP 1



B01

GENERAL WEISS
SWL138 ASSEMBLY

STEP 1



C04

C02

C03

C01

STEP 2



STAR WARS™

LEGION™

AT-ST
SWL138 ASSEMBLY

READ THIS FIRST

Be sure to use a pair of sharp hobby clippers to remove the miniature components from the sprue. Carefully clean the excess material and mold lines with a sharp hobby knife. Check the fit of each part before gluing. Use a small amount of hobby plastic glue to assemble the components. Use caution with all products and follow all manufacturer instructions. Adult supervision is recommended for children under the age of 16. Have fun!

JOIN THE COMMUNITY

Use #MyStarWarsLegion to share your miniature photos and be a part of the *Star Wars: Legion* community!



AtomicMassGames

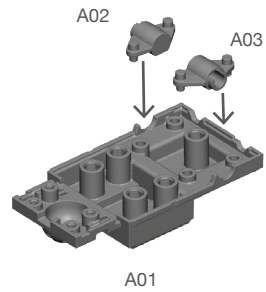


AtomicMassGames

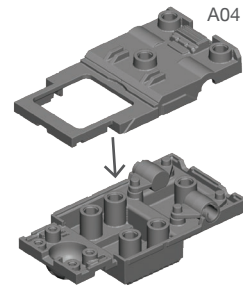


Atomic_Mass_Transmissions

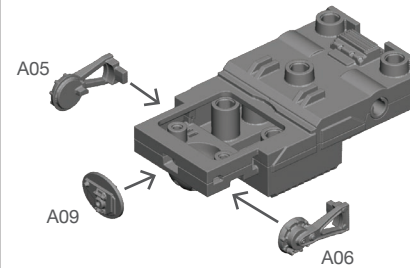
STEP 1



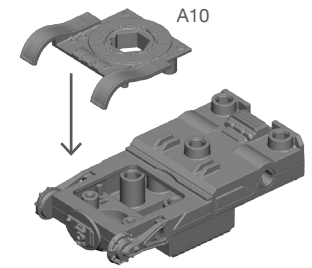
STEP 2



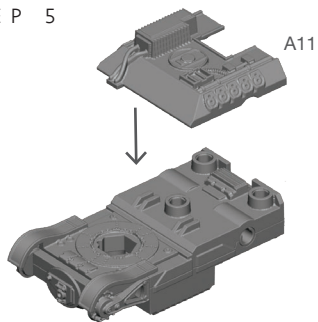
STEP 3



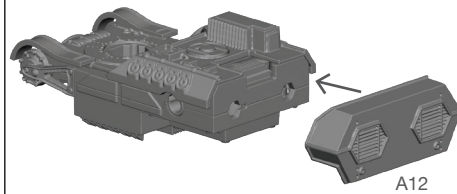
STEP 4



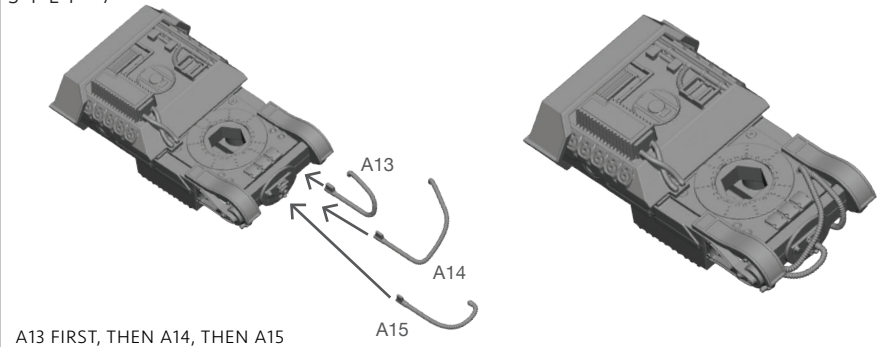
STEP 5



STEP 6

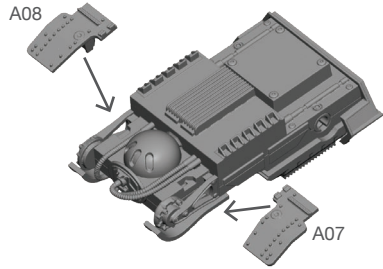


STEP 7

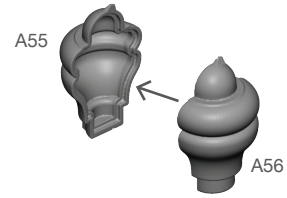


AT-ST SWL138 ASSEMBLY

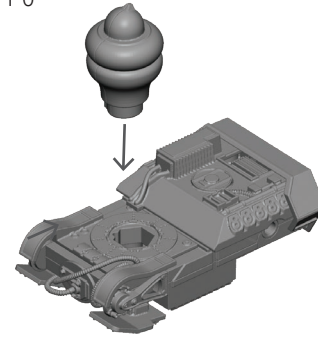
STEP 8



STEP 9



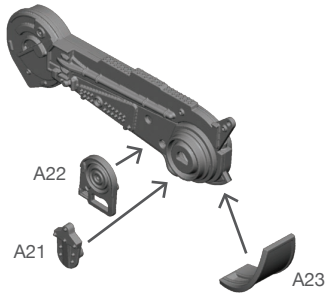
STEP 10



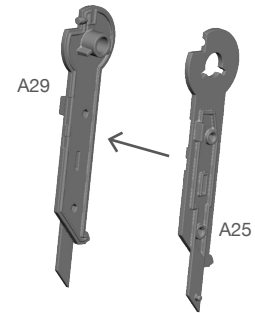
STEP 11



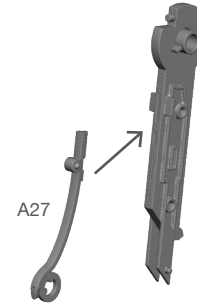
STEP 12



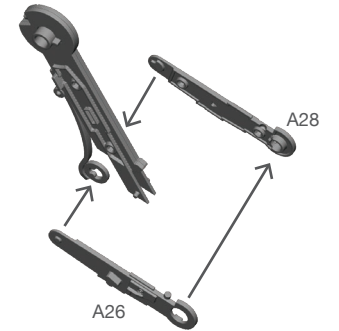
STEP 13



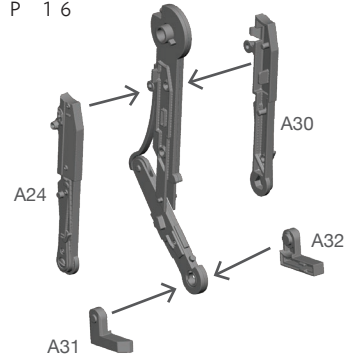
STEP 14



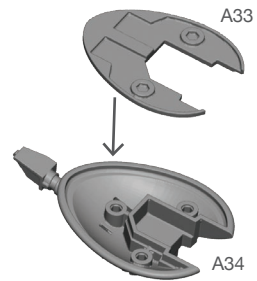
STEP 15



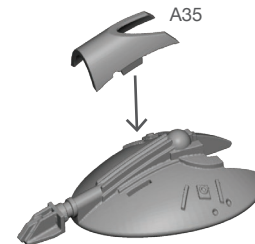
STEP 16



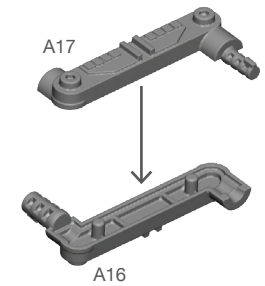
STEP 17



STEP 18

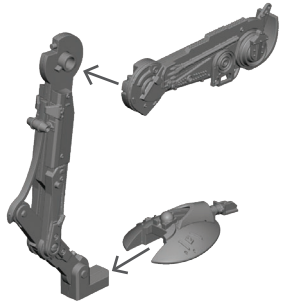


STEP 19

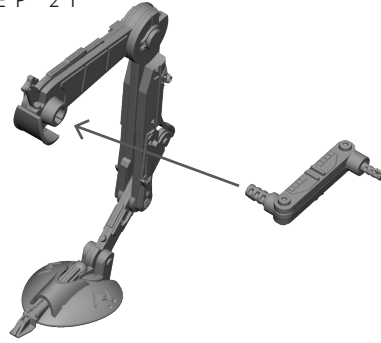


AT-ST SWL138 ASSEMBLY

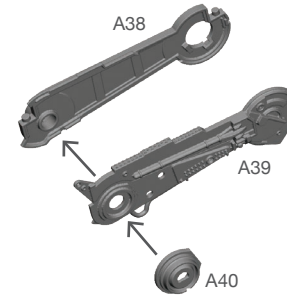
STEP 20



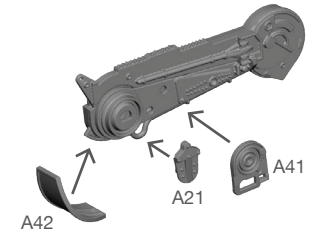
STEP 21



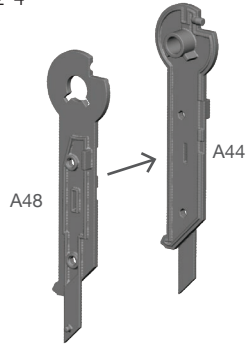
STEP 22



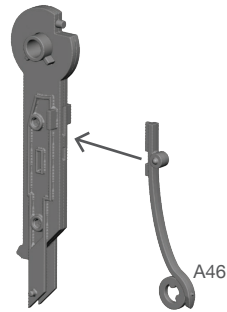
STEP 23



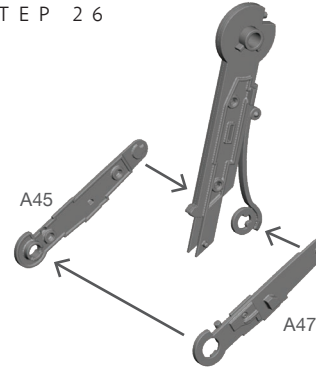
STEP 24



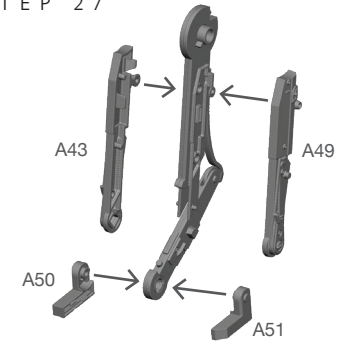
STEP 25



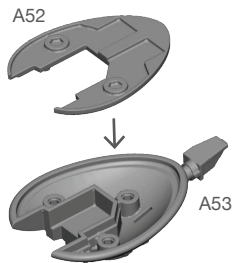
STEP 26



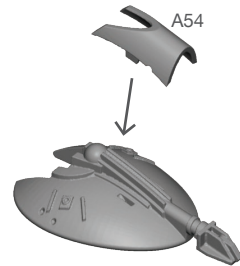
STEP 27



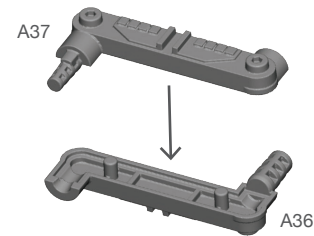
STEP 28



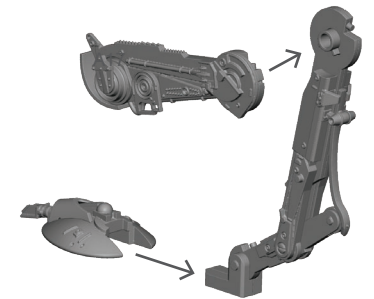
STEP 29



STEP 30

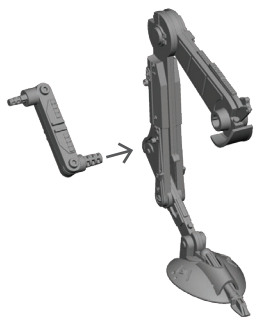


STEP 31



AT-ST SWL138 ASSEMBLY

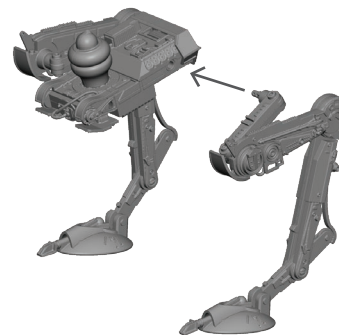
STEP 32



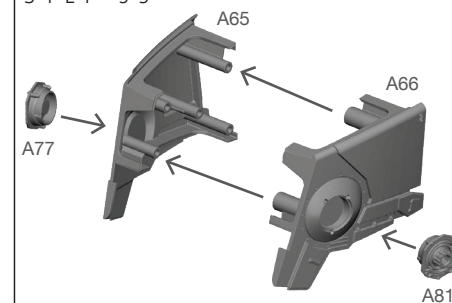
STEP 33



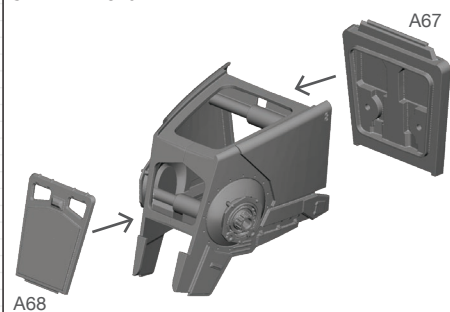
STEP 34



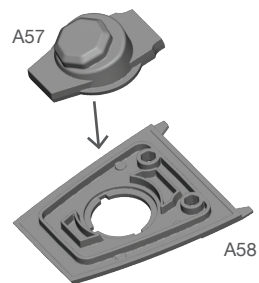
STEP 35



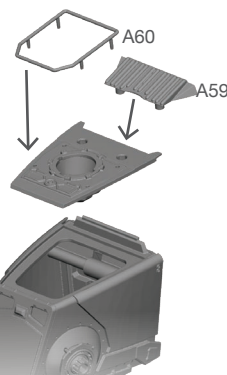
STEP 36



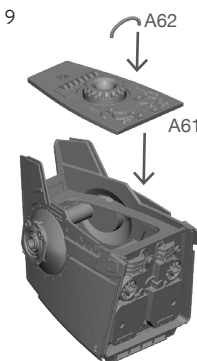
STEP 37



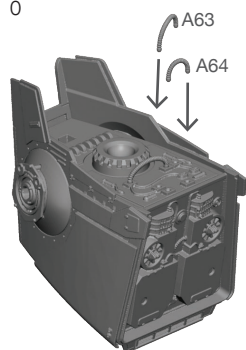
STEP 38



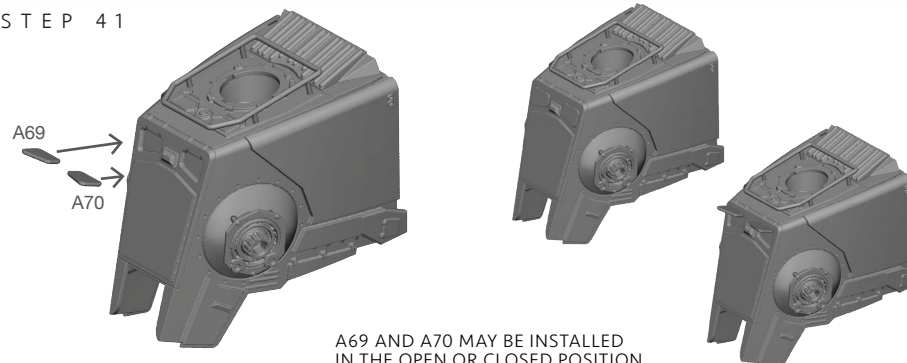
STEP 39



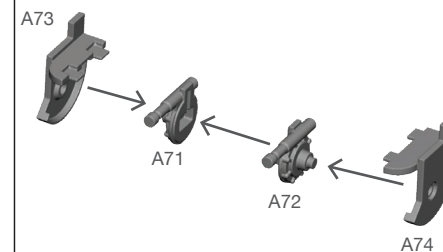
STEP 40



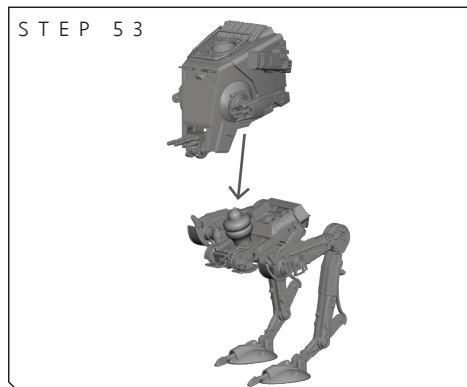
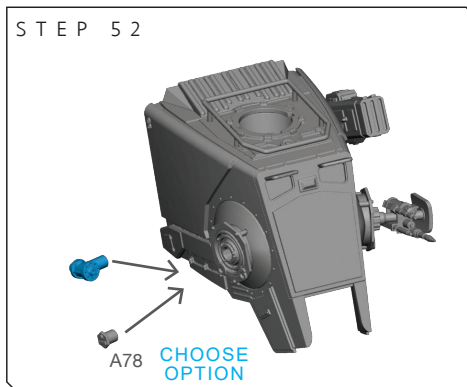
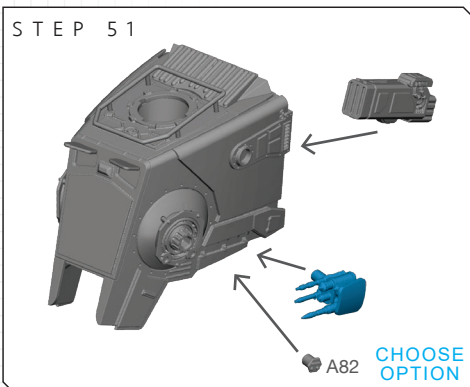
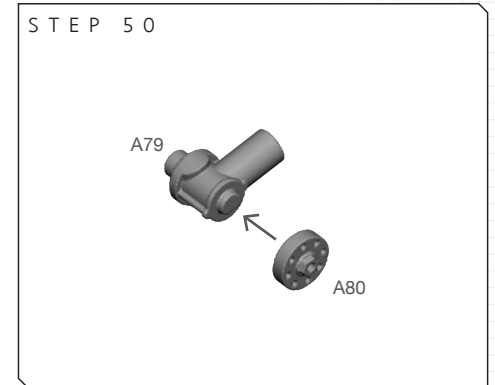
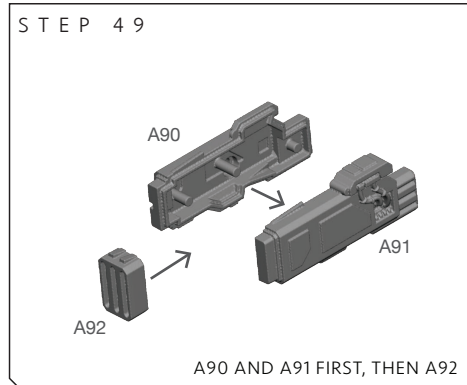
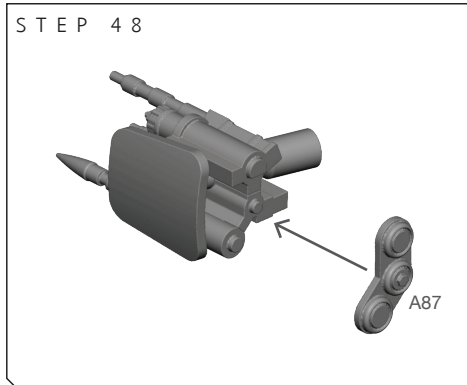
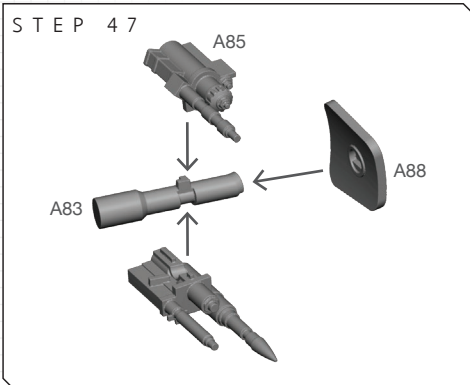
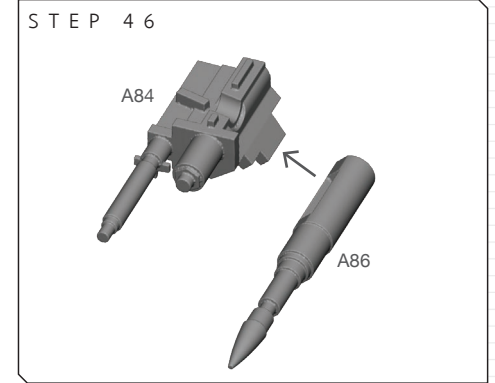
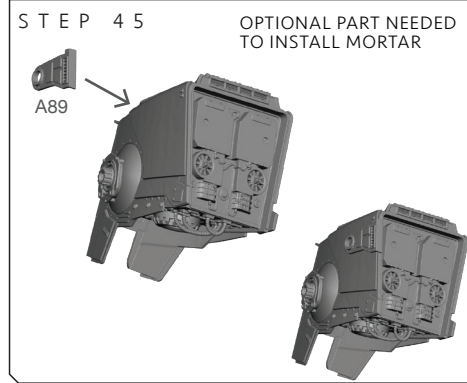
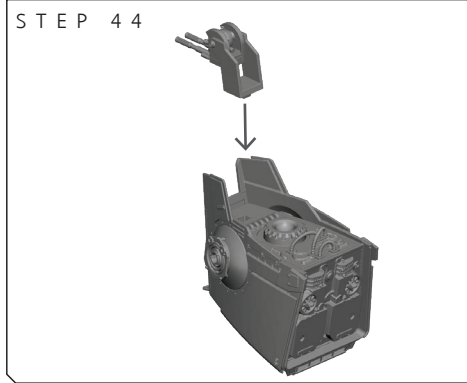
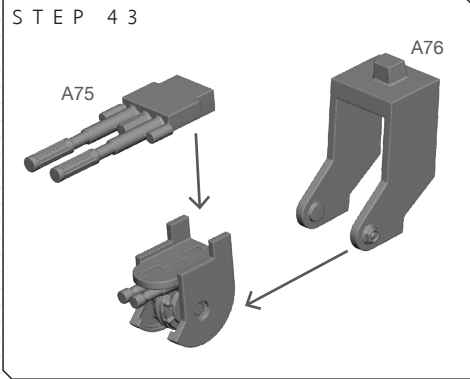
STEP 41



STEP 42



AT-ST SWL138 ASSEMBLY

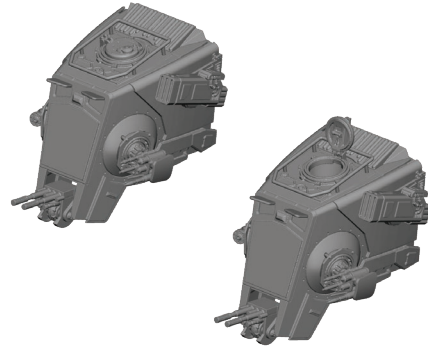
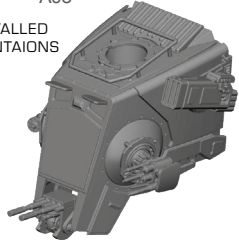


AT-ST SWL138 ASSEMBLY

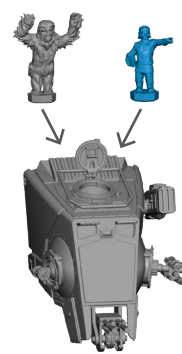
STEP 54



PARTS MAY BE INSTALLED
IN DIFFERENT ORIENTAIONS



STEP 55



CHOOSE
OPTION

