

STAR WARS™ LEGION™

BX-SERIES
COMMANDO DROIDS
(SWQ52)

READ THIS FIRST

STOP! Before assembling, please visit atomicmassgames.com/SWLegion and download the assembly instructions. Be sure to use a pair of sharp hobby clippers to remove the miniature components from the frame. Carefully clean the excess material and mold lines with a sharp hobby knife. Check the fit of each part before gluing. Use a small amount of hobby plastic glue to assemble the components.

Use caution with all products and follow all manufacturer instructions. Adult supervision is recommended for children under the age of 16. Have fun!

JOIN THE COMMUNITY

Use #MyStarWarsLegion to share your miniature photos and be a part of the Star Wars™: Legion community!



AtomicMassGames



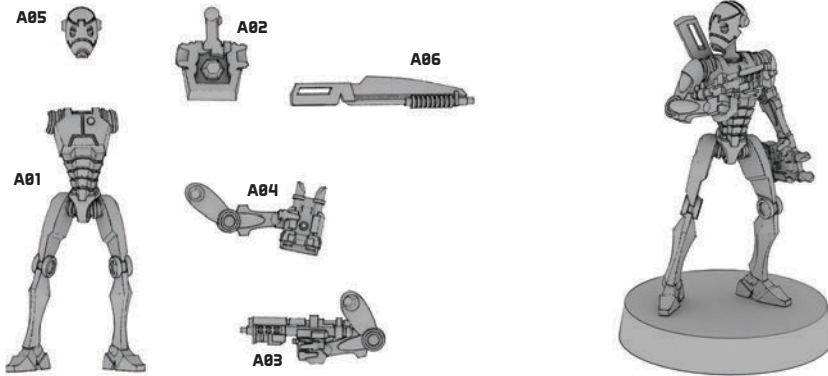
AtomicMassGames



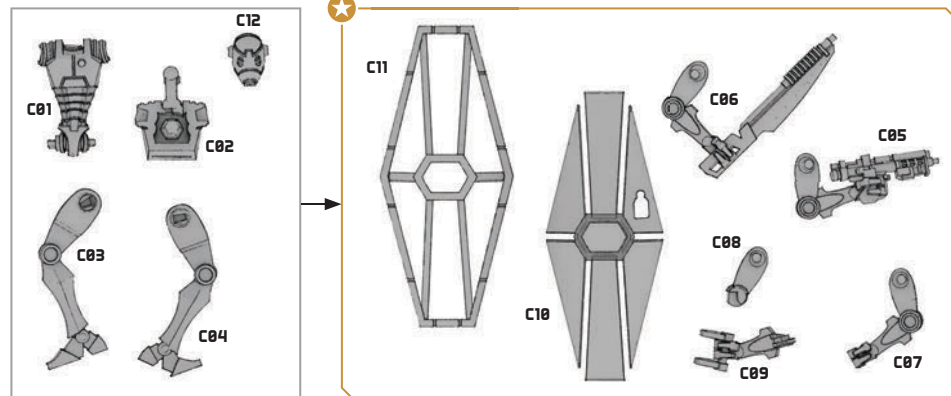
Atomic_Mass_Transmissions

★ : CUSTOMIZABLE OPTIONS

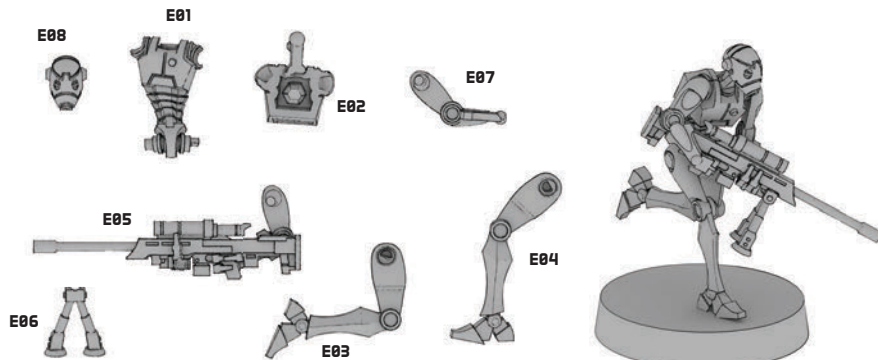
DROID COMMANDO UNIT LEADER



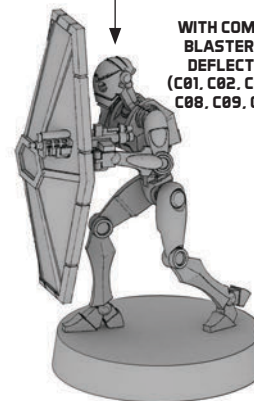
DROID COMMANDO



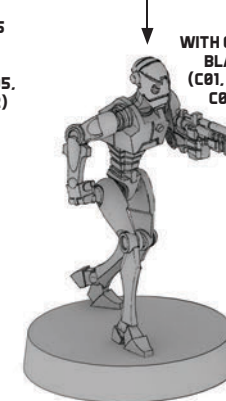
DROID COMMANDO SNIPER



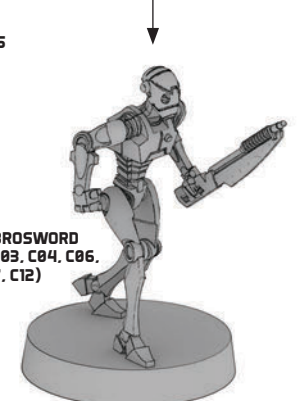
WITH COMMANDO E-5
BLASTER RIFLE AND
DEFLECTOR SHIELD
(C01, C02, C03, C04, C05,
C08, C09, C10, C11, C12)



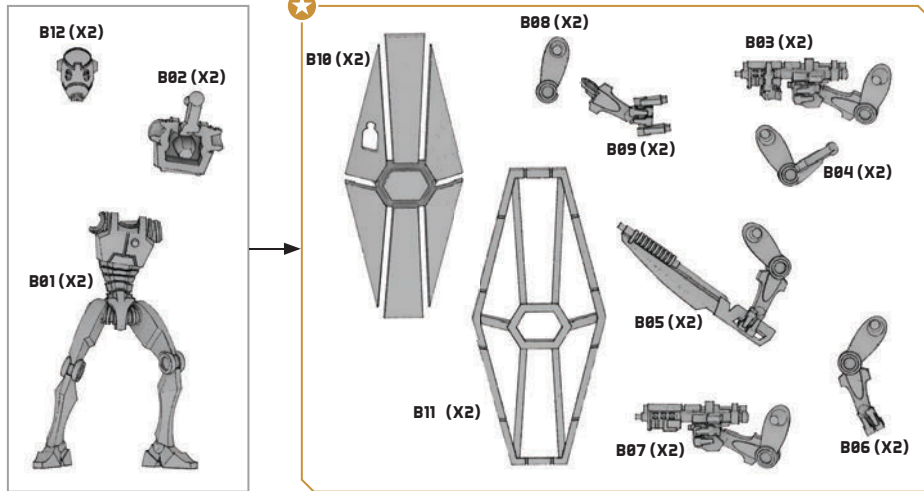
WITH COMMANDO E-5
BLASTER RIFLE
(C01, C02, C03, C04,
C05, C07, C12)



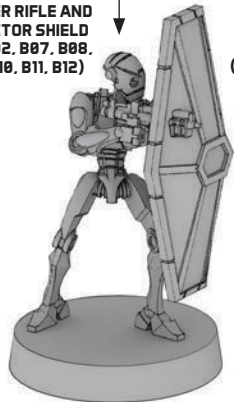
WITH VIBROSWORD
(C01, C02, C03, C04, C06,
C07, C12)



DROID COMMANDO



WITH COMMANDO E-5
BLASTER RIFLE AND
DEFLECTOR SHIELD
(B01, B02, B07, B08,
B09, B10, B11, B12)



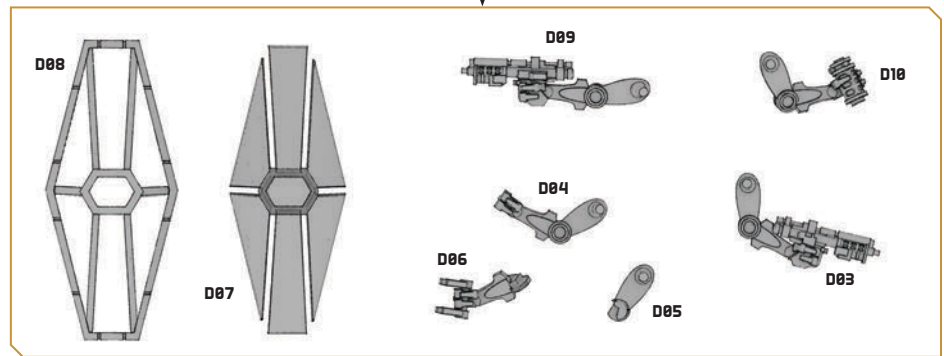
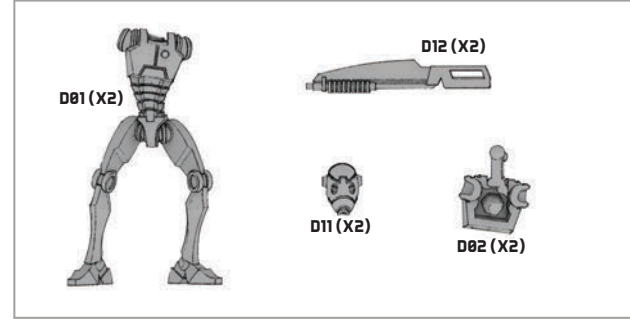
WITH COMMANDO
E-5 BLASTER RIFLE
(B01, B02, B03, B04, B12)



WITH VIBROSWORD
(B01, B02, B05, B06, B12)



DROID COMMANDO & DIOXIS MINE SABOTEUR



WITH COMMANDO E-5
BLASTER RIFLE AND
DEFLECTOR SHIELD
(D01, D02, D03, D05, D06,
D07, D08, D11)



WITH COMMANDO
E-5 BLASTER RIFLE,
VIBROSWORD, AND
DIOXIS MINE
(D01, D02, D09, D10 D11, D12)



WITH COMMANDO
E-5 BLASTER RIFLE
(D01, D02, D03, D04, D11)