

MARVEL CRISIS PROTOCOL

MINIATURES GAME

CPE05

READ THIS FIRST

Be sure to use a pair of sharp hobby clippers to remove the miniature components from the frame. Carefully clean the excess material and mold lines with a sharp hobby knife. Check the fit of each part before gluing. Use a small amount of hobby plastic glue to assemble the components. Use caution with all products and follow all manufacturer instructions. Adult supervision is recommended for children under the age of 16. Have fun!

JOIN THE COMMUNITY

Use #PaintingProtocol to share your miniature photos and be a part of the Marvel: Crisis Protocol community!



AtomicMassGames

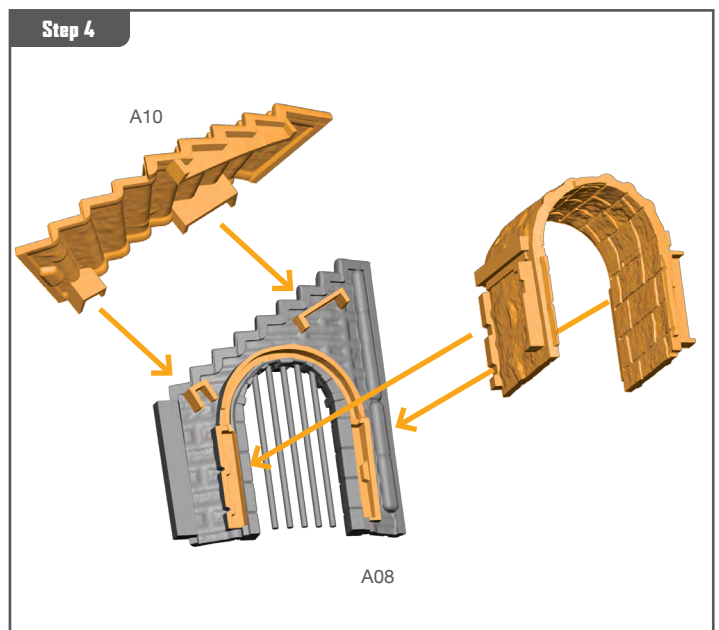
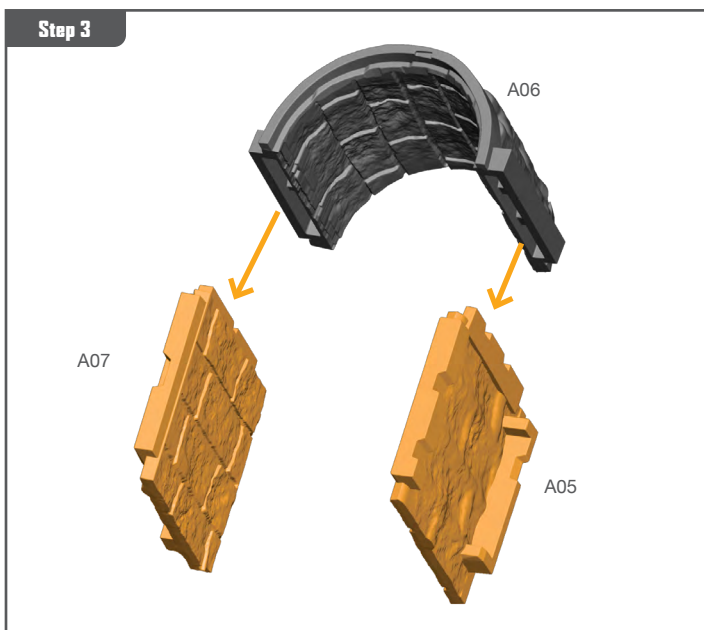
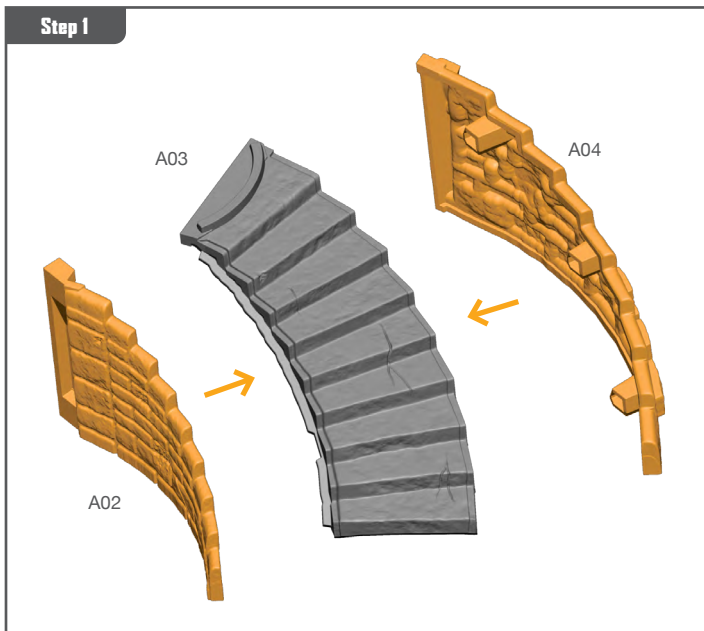


AtomicMassGames



Atomic_Mass_Transmissions

TOMB OF DRACULA ASSEMBLY GUIDE (A)



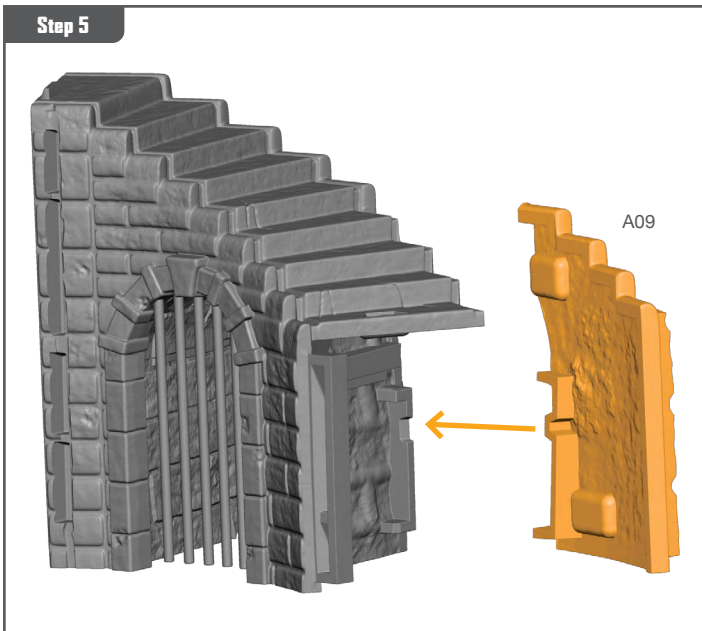
Permission granted to print or photocopy for personal use.



Atomic Mass Games and logo are TM of Atomic Mass Games.
Atomic Mass Games, 1995 County Road B2 W, Roseville, MN, 55113, USA, 1-651-639-1905.
Actual components may vary from those shown.

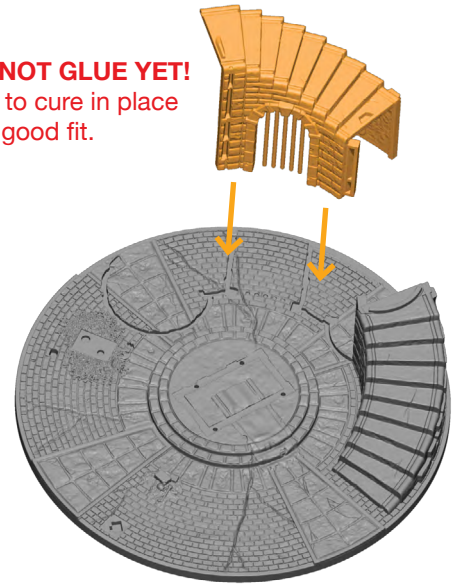
TOMB OF DRACULA ASSEMBLY GUIDE (A) CONTINUED

Step 5

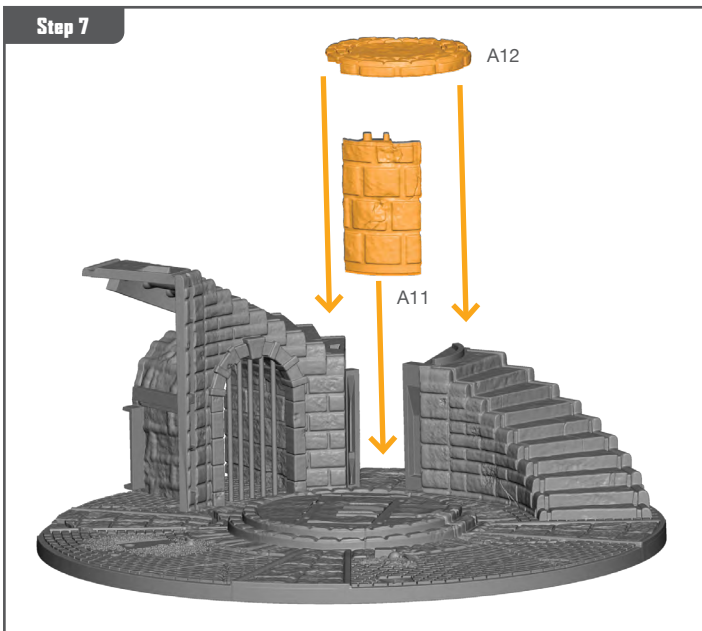


Step 6

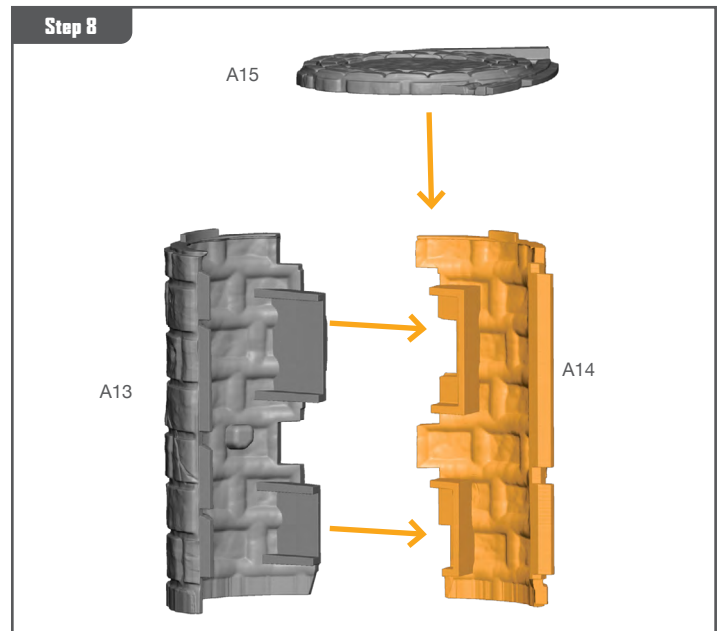
NOTE: DO NOT GLUE YET!
Allow piece to cure in place to ensure a good fit.



Step 7



Step 8

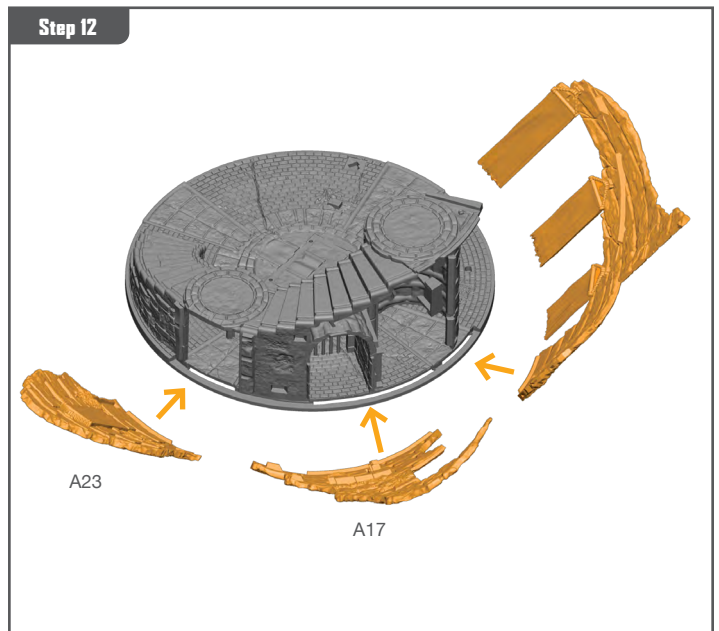
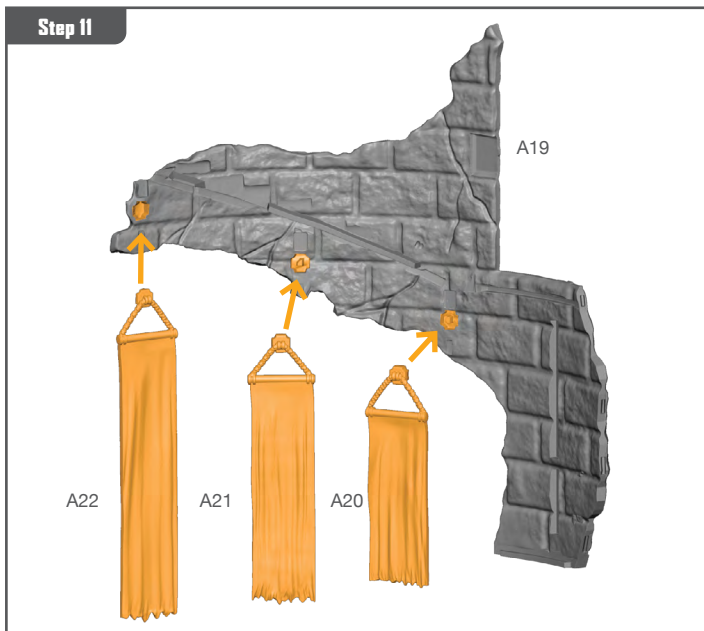
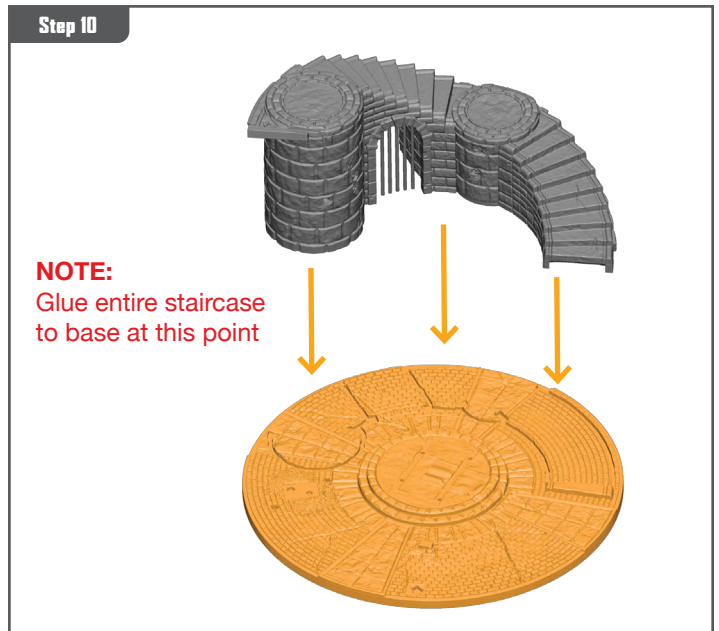
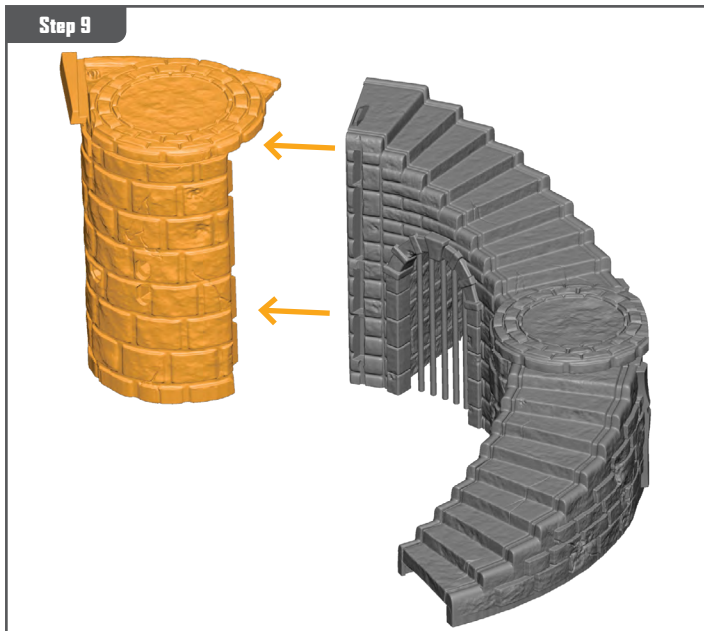


Permission granted to print or photocopy for personal use.



Atomic Mass Games and logo are TM of Atomic Mass Games.
Atomic Mass Games, 1995 County Road B2 W, Roseville, MN, 55113, USA, 1-651-639-1905.
Actual components may vary from those shown.

TOMB OF DRACULA ASSEMBLY GUIDE (A) CONTINUED



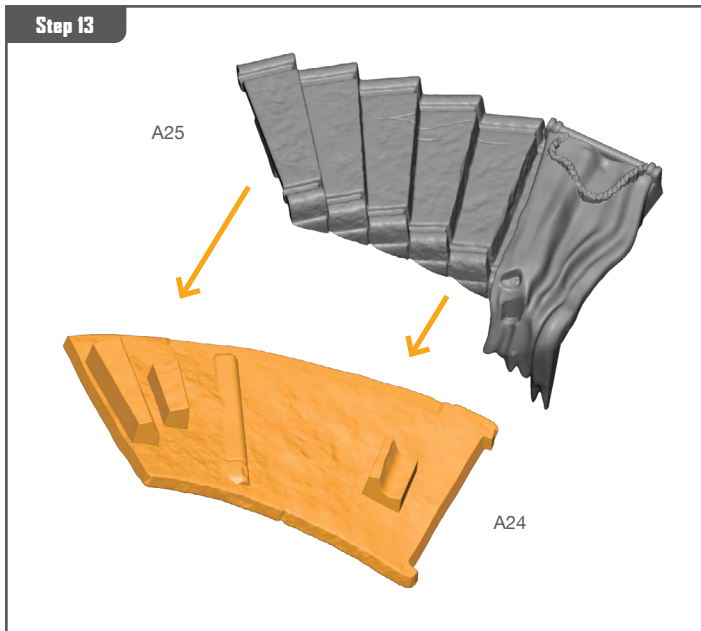
Permission granted to print or photocopy for personal use.



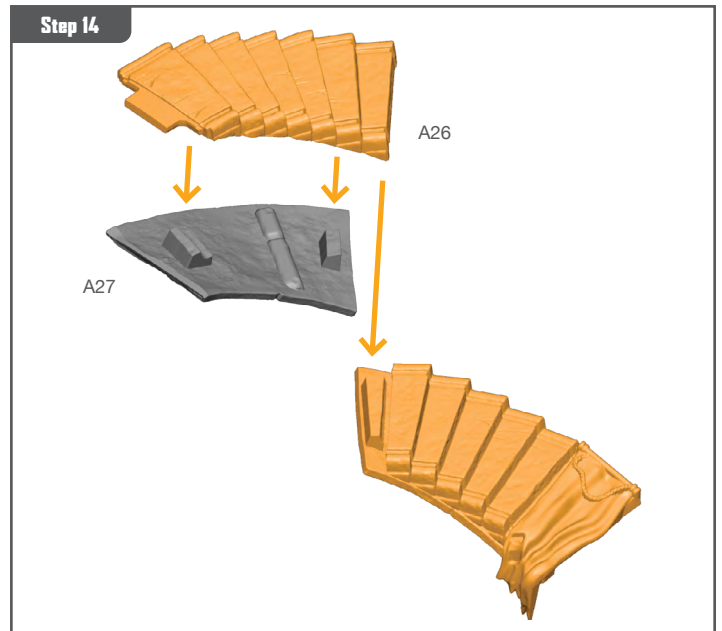
Atomic Mass Games and logo are TM of Atomic Mass Games.
Atomic Mass Games, 1995 County Road B2 W, Roseville, MN, 55113, USA, 1-651-639-1905.
Actual components may vary from those shown.

TOMB OF DRACULA ASSEMBLY GUIDE (A) CONTINUED

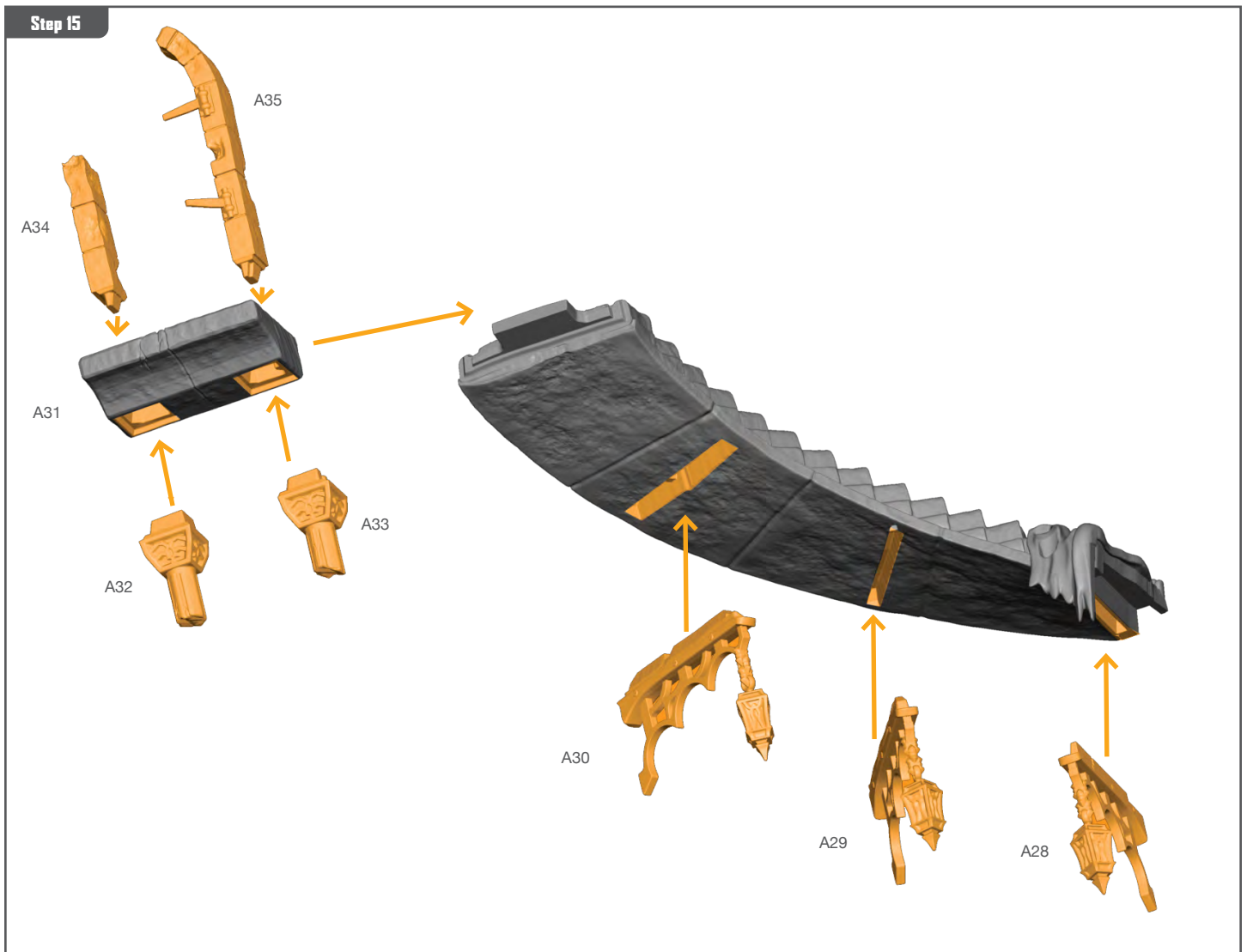
Step 13



Step 14



Step 15



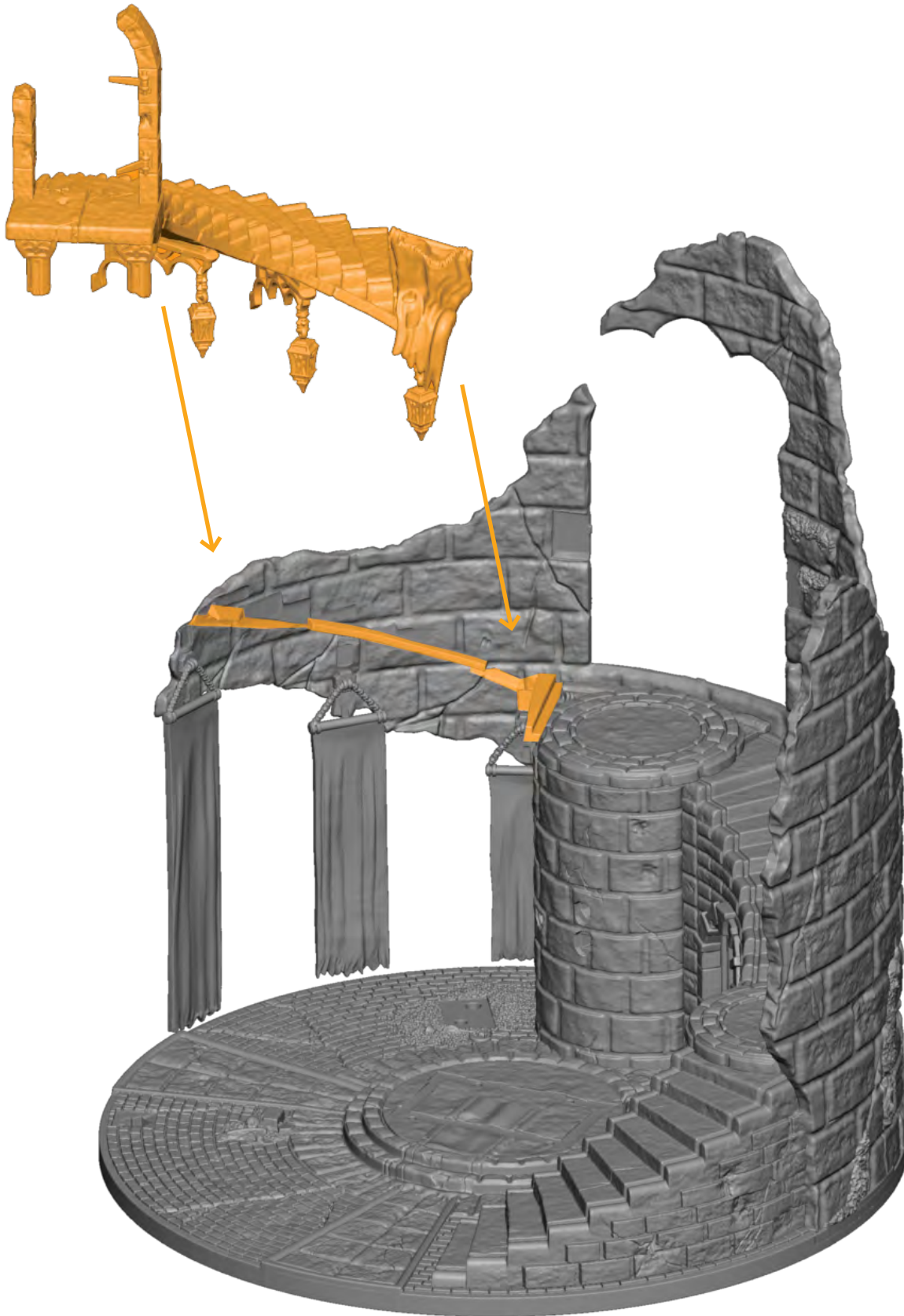
Permission granted to print or photocopy for personal use.



Atomic Mass Games and logo are TM of Atomic Mass Games.
Atomic Mass Games, 1995 County Road B2 W, Roseville, MN, 55113, USA, 1-651-639-1905.
Actual components may vary from those shown.

TOMB OF DRACULA ASSEMBLY GUIDE (A) CONTINUED

Step 16

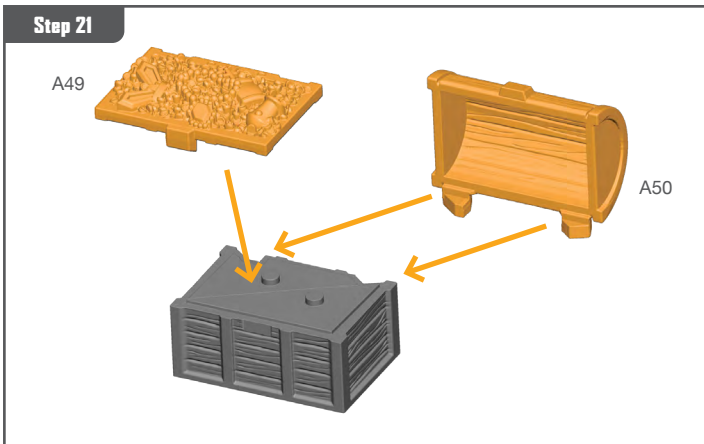
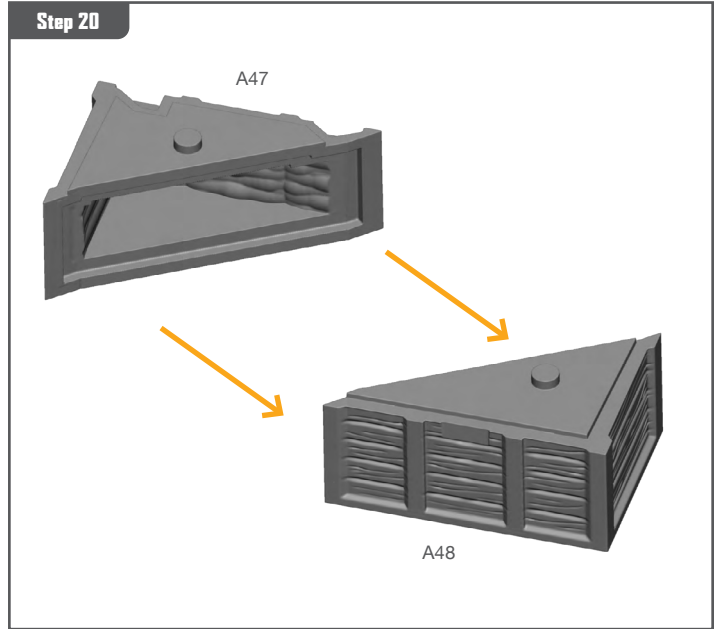
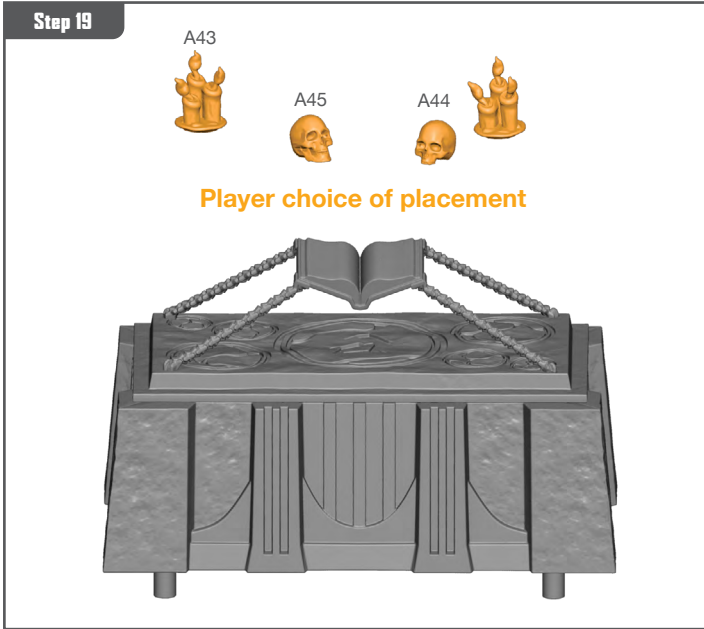
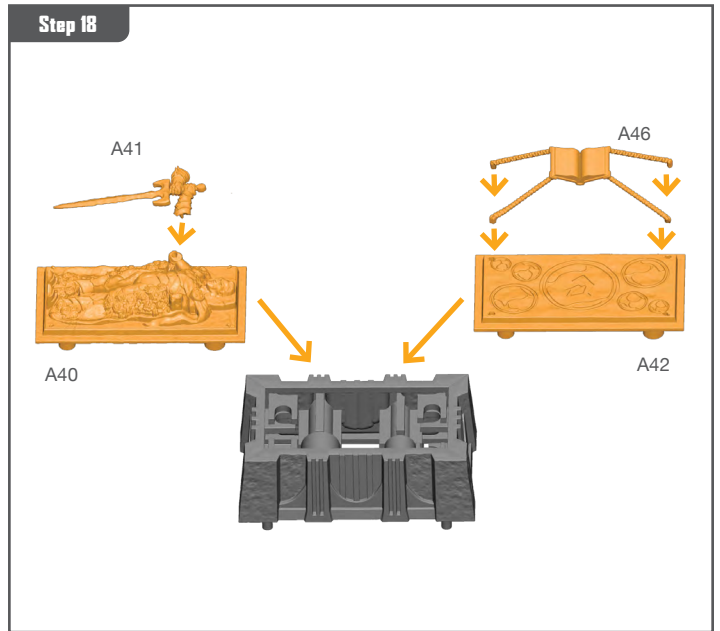
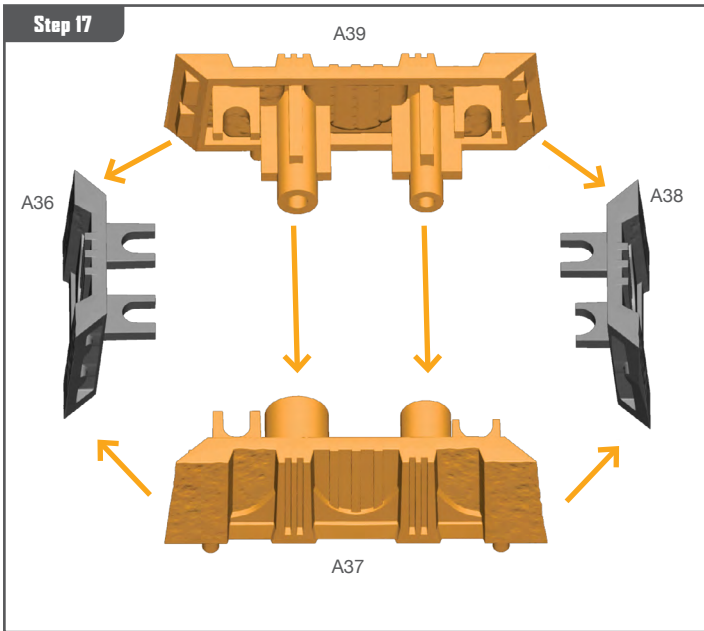


Permission granted to print or photocopy for personal use.



Atomic Mass Games and logo are TM of Atomic Mass Games.
Atomic Mass Games, 1995 County Road B2 W, Roseville, MN, 55113, USA, 1-651-639-1905.
Actual components may vary from those shown.

TOMB OF DRACULA ASSEMBLY GUIDE (A) CONTINUED



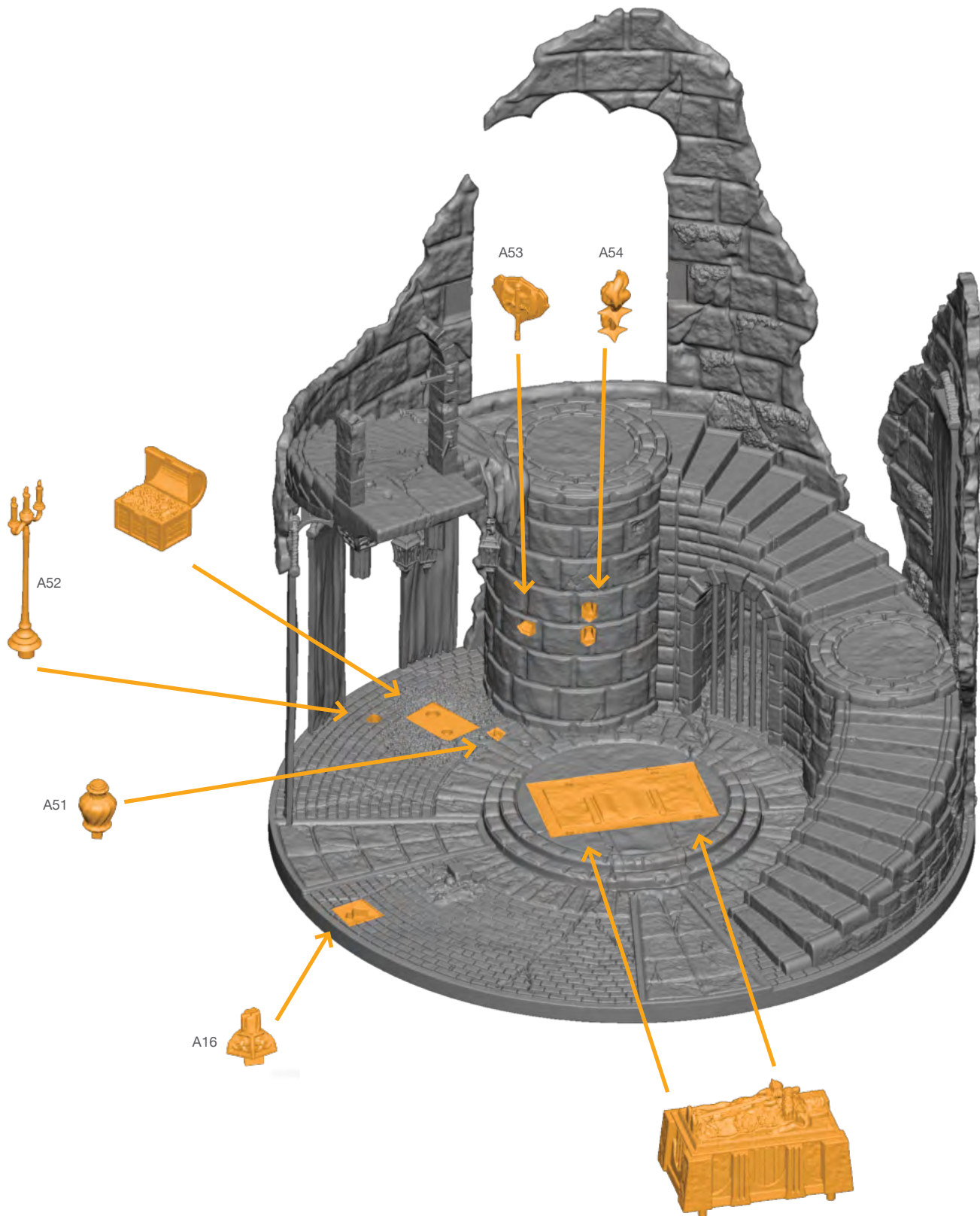
Permission granted to print or photocopy for personal use.



Atomic Mass Games and logo are TM of Atomic Mass Games.
Atomic Mass Games, 1995 County Road B2 W, Roseville, MN, 55113, USA, 1-651-639-1905.
Actual components may vary from those shown.

TOMB OF DRACULA ASSEMBLY GUIDE (A) CONTINUED

Step 22



Permission granted to print or photocopy for personal use.

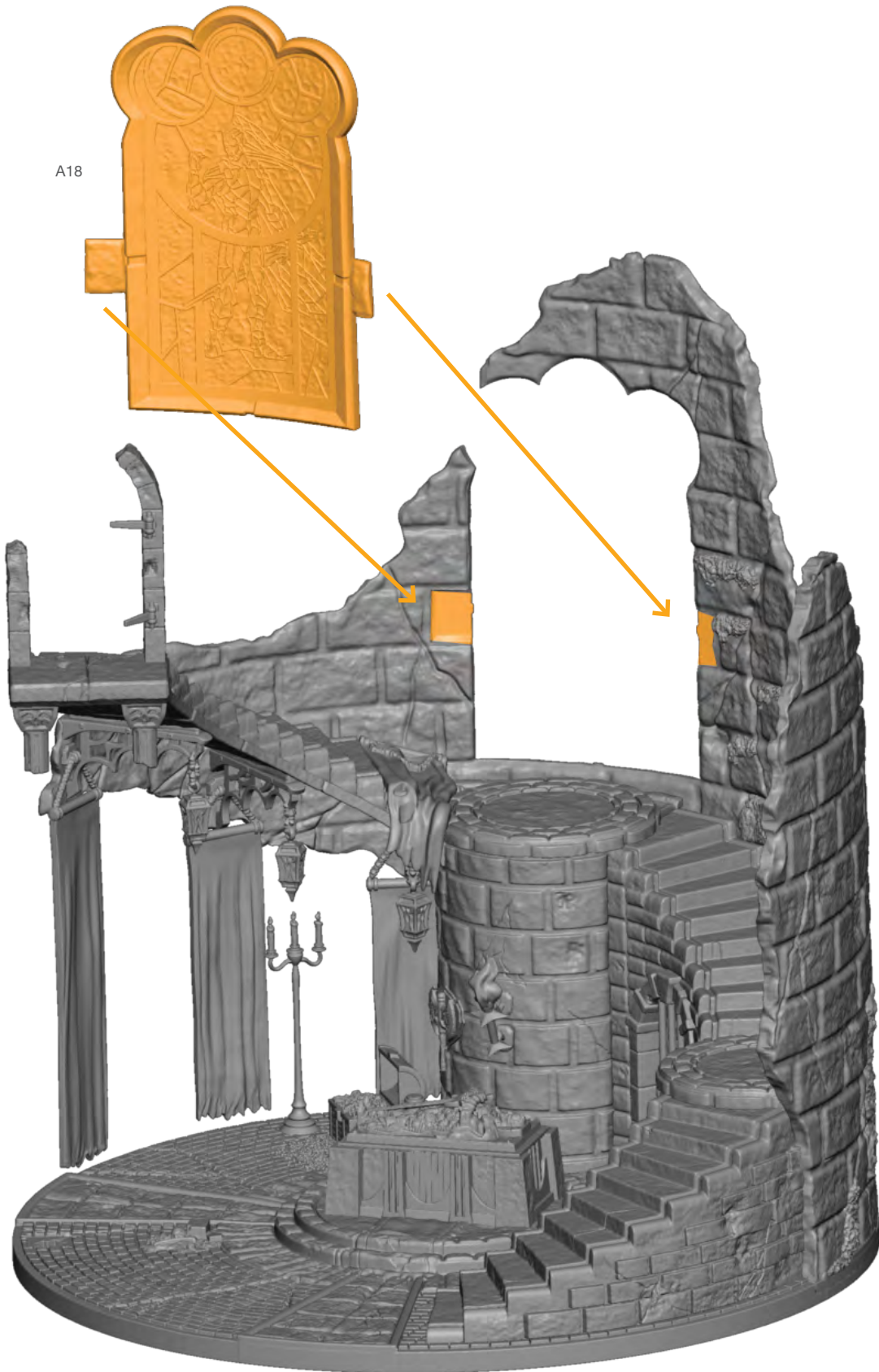


Atomic Mass Games and logo are TM of Atomic Mass Games.
Atomic Mass Games, 1995 County Road B2 W, Roseville, MN, 55113, USA, 1-651-639-1905.
Actual components may vary from those shown.

TOMB OF DRACULA ASSEMBLY GUIDE (A) CONTINUED

Step 23

A18



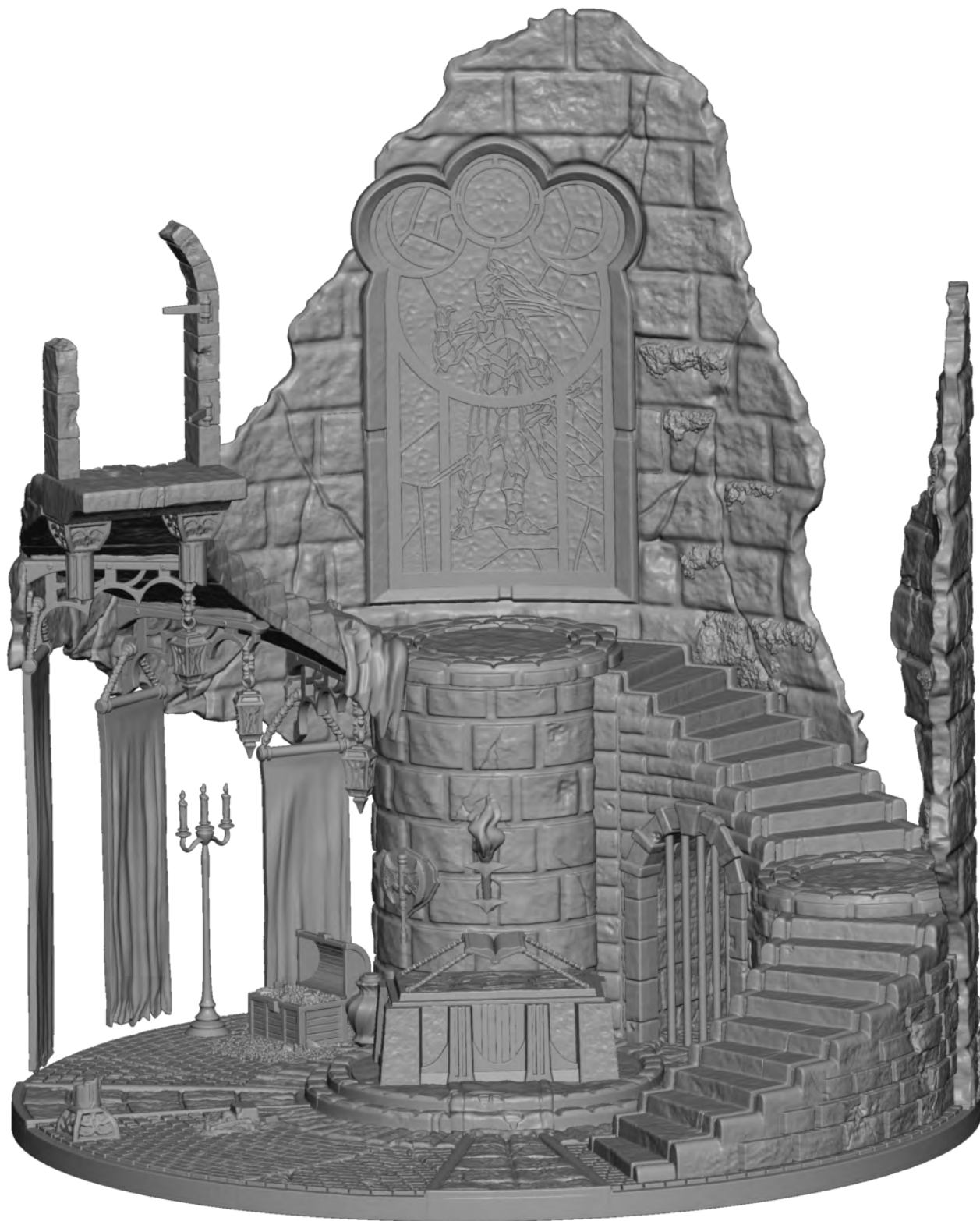
Permission granted to print or photocopy for personal use.



Atomic Mass Games and logo are TM of Atomic Mass Games.
Atomic Mass Games, 1995 County Road B2 W, Roseville, MN, 55113, USA, 1-651-639-1905.
Actual components may vary from those shown.

TOMB OF DRACULA ASSEMBLY GUIDE (A) CONTINUED

Final



Permission granted to print or photocopy for personal use.



Atomic Mass Games and logo are TM of Atomic Mass Games.
Atomic Mass Games, 1995 County Road B2 W, Roseville, MN, 55113, USA, 1-651-639-1905.
Actual components may vary from those shown.