

MARVEL CRISIS PROTOCOL

MINIATURES GAME

CP194

READ THIS FIRST

Be sure to use a pair of sharp hobby clippers to remove the miniature components from the frame. Carefully clean the excess material and mold lines with a sharp hobby knife. Check the fit of each part before gluing. Use a small amount of hobby plastic glue to assemble the components. Use caution with all products and follow all manufacturer instructions. Adult supervision is recommended for children under the age of 16. Have fun!

JOIN THE COMMUNITY

Use #PaintingProtocol to share your miniature photos and be a part of the Marvel: Crisis Protocol community!



AtomicMassGames

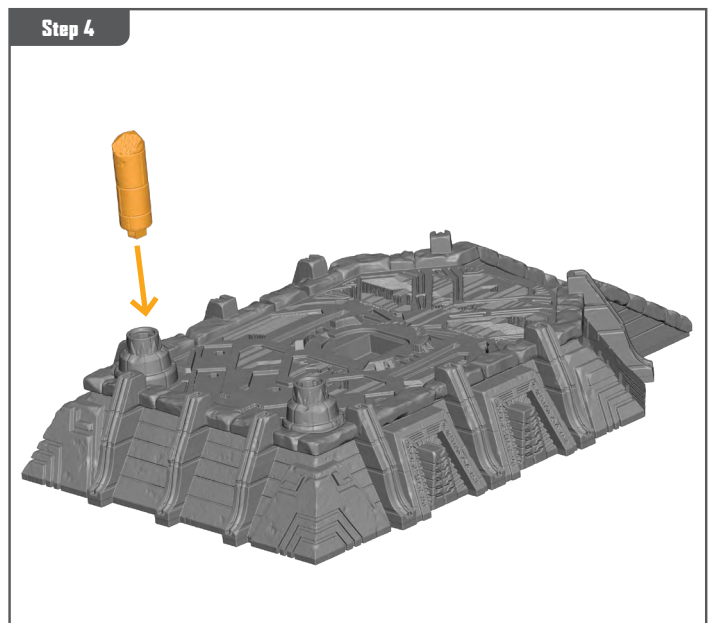
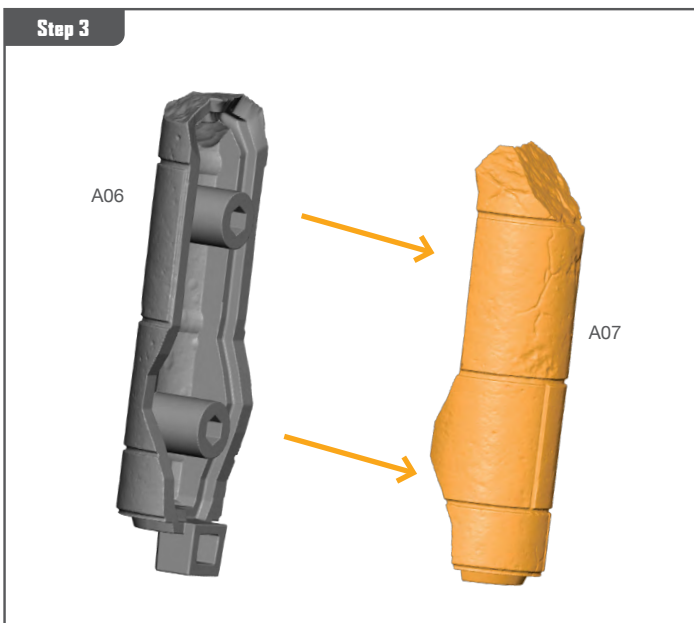
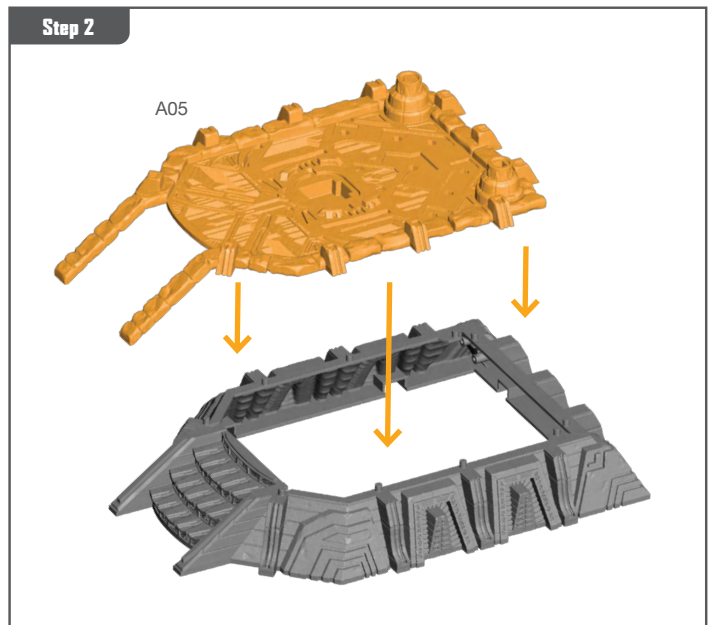
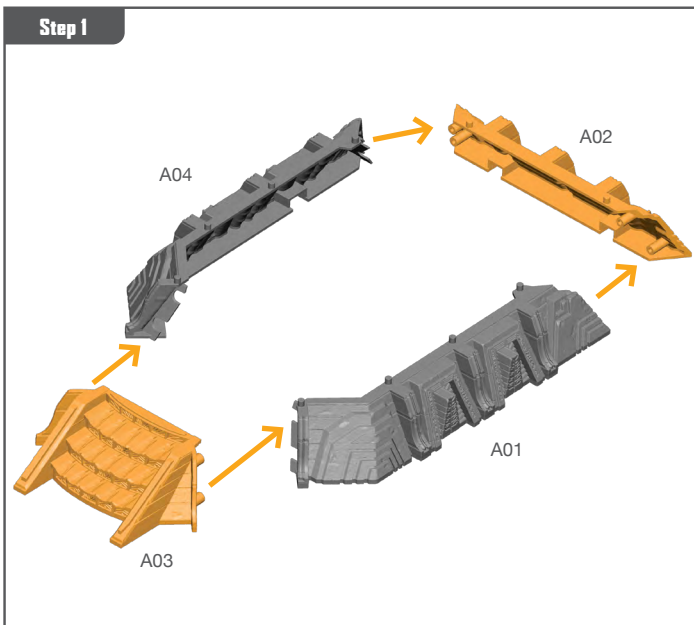


AtomicMassGames



Atomic_Mass_Transmissions

REJUVENATION CHAMBER ASSEMBLY

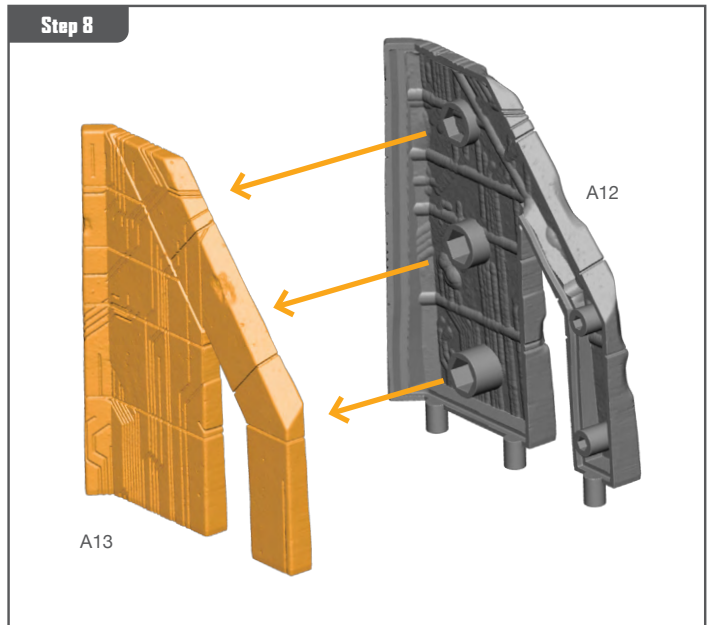
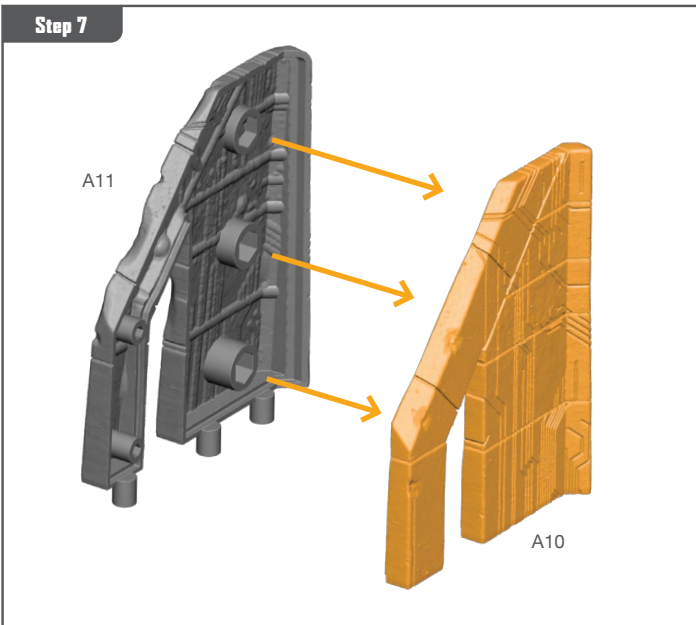
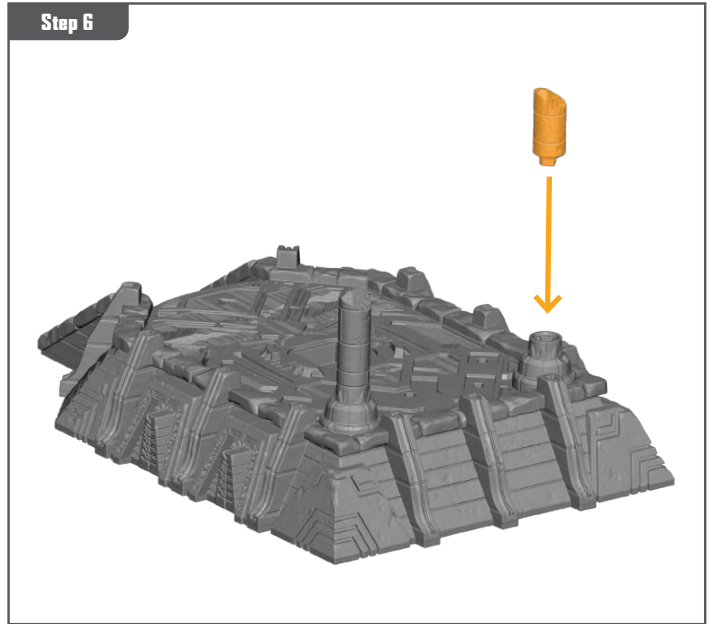
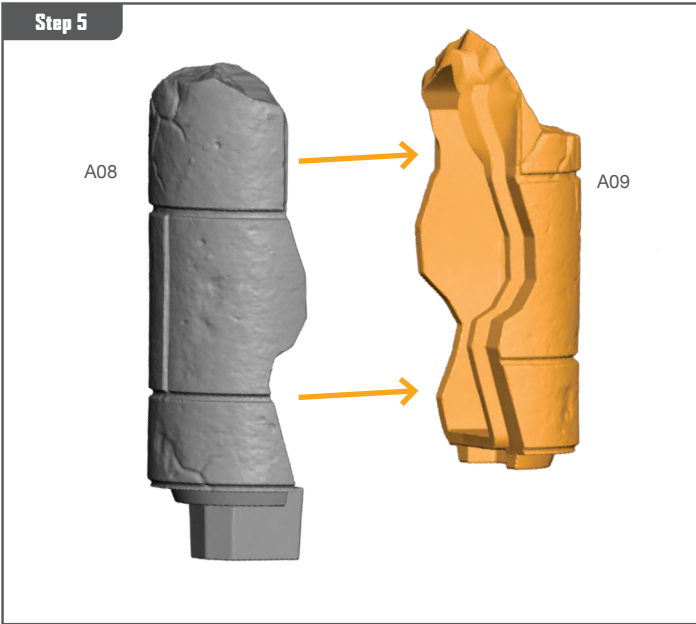


Permission granted to print or photocopy for personal use.



Atomic Mass Games and logo are TM of Atomic Mass Games.
Atomic Mass Games, 1995 County Road B2 W, Roseville, MN, 55113, USA, 1-651-639-1905.
Actual components may vary from those shown.

REJUVENATION CHAMBER ASSEMBLY GUIDE (A) CONTINUED



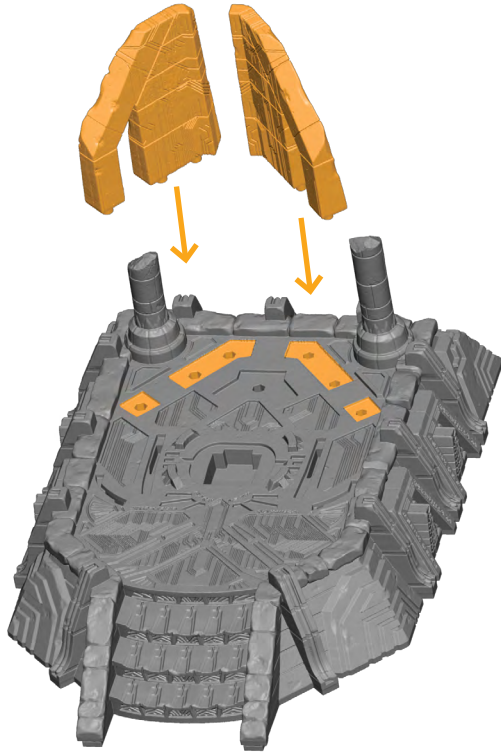
Permission granted to print or photocopy for personal use.



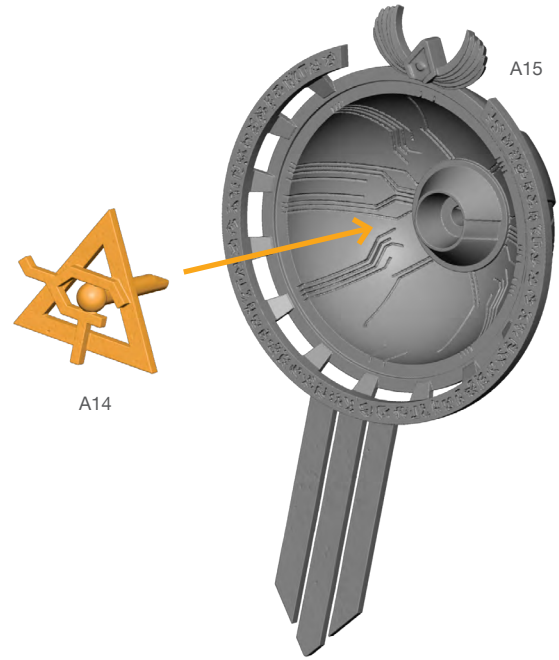
Atomic Mass Games and logo are TM of Atomic Mass Games.
Atomic Mass Games, 1995 County Road B2 W, Roseville, MN, 55113, USA, 1-651-639-1905.
Actual components may vary from those shown.

REJUVENATION CHAMBER ASSEMBLY GUIDE (A) CONTINUED

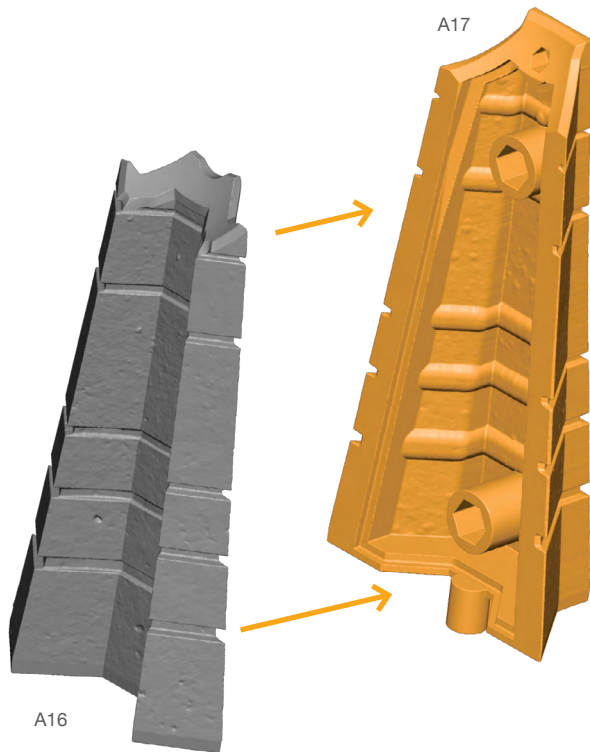
Step 9



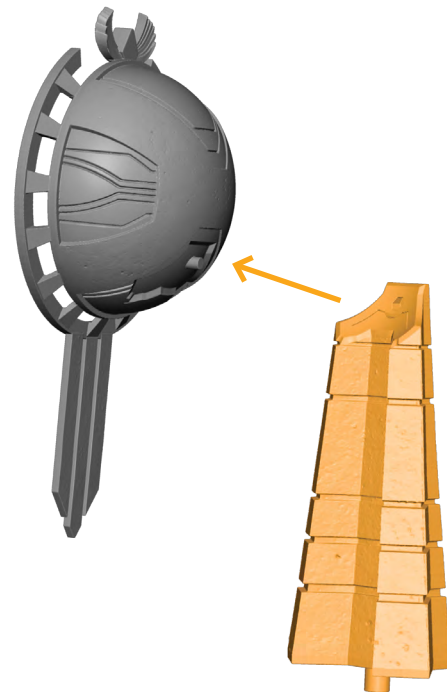
Step 10



Step 11



Step 12



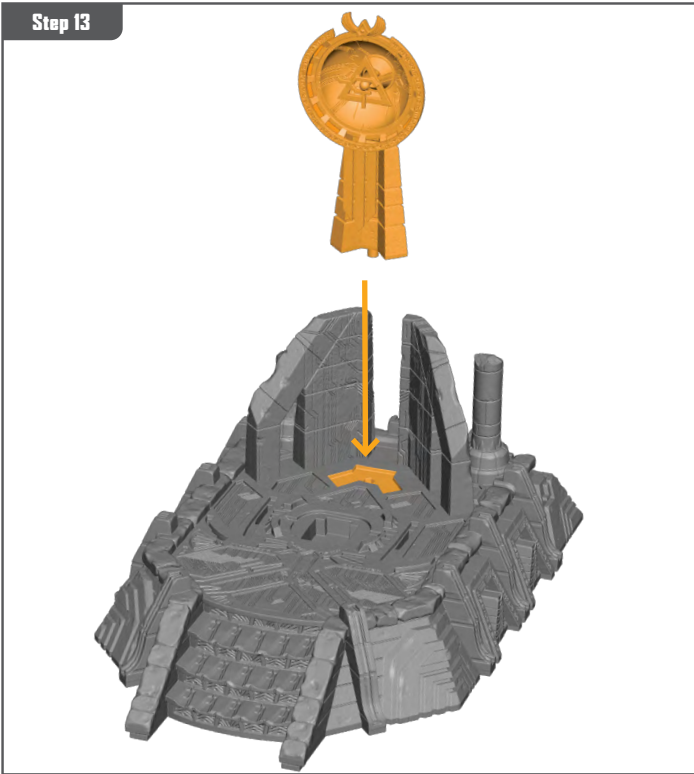
Permission granted to print or photocopy for personal use.



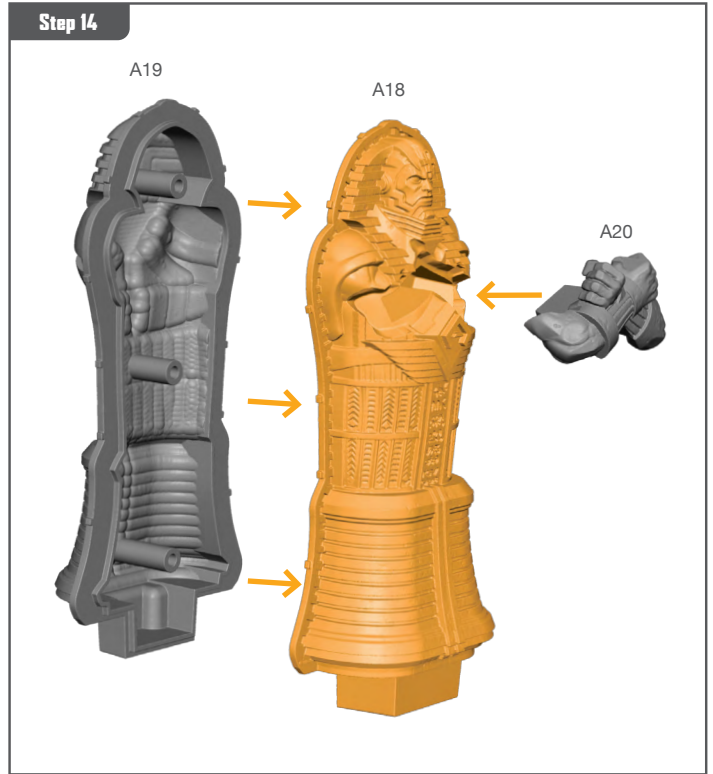
Atomic Mass Games and logo are TM of Atomic Mass Games.
Atomic Mass Games, 1995 County Road B2 W, Roseville, MN, 55113, USA, 1-651-639-1905.
Actual components may vary from those shown.

REJUVENATION CHAMBER ASSEMBLY GUIDE (A) CONTINUED

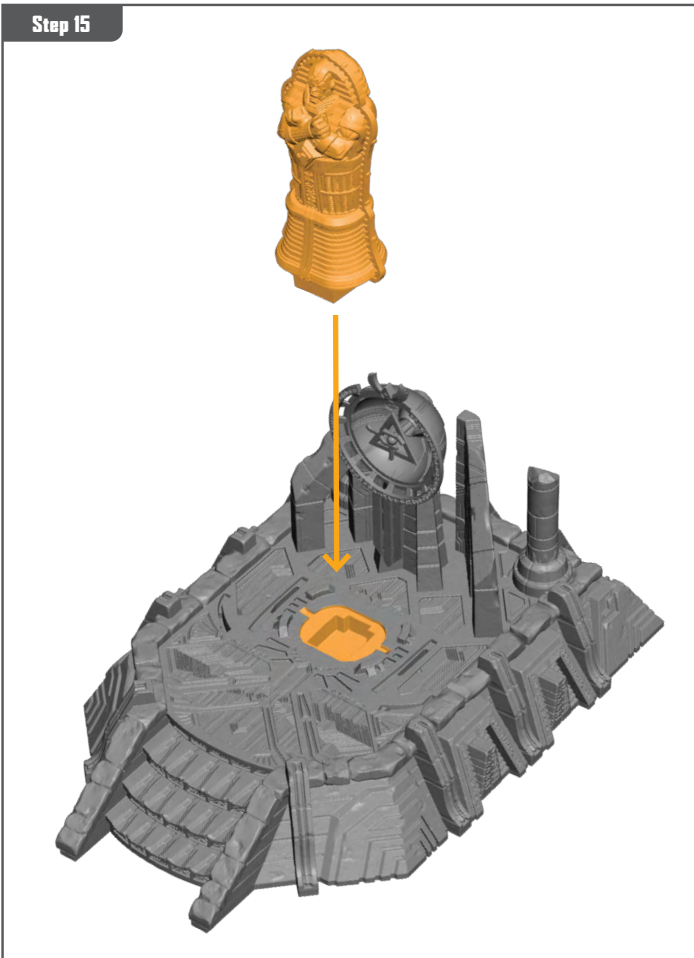
Step 13



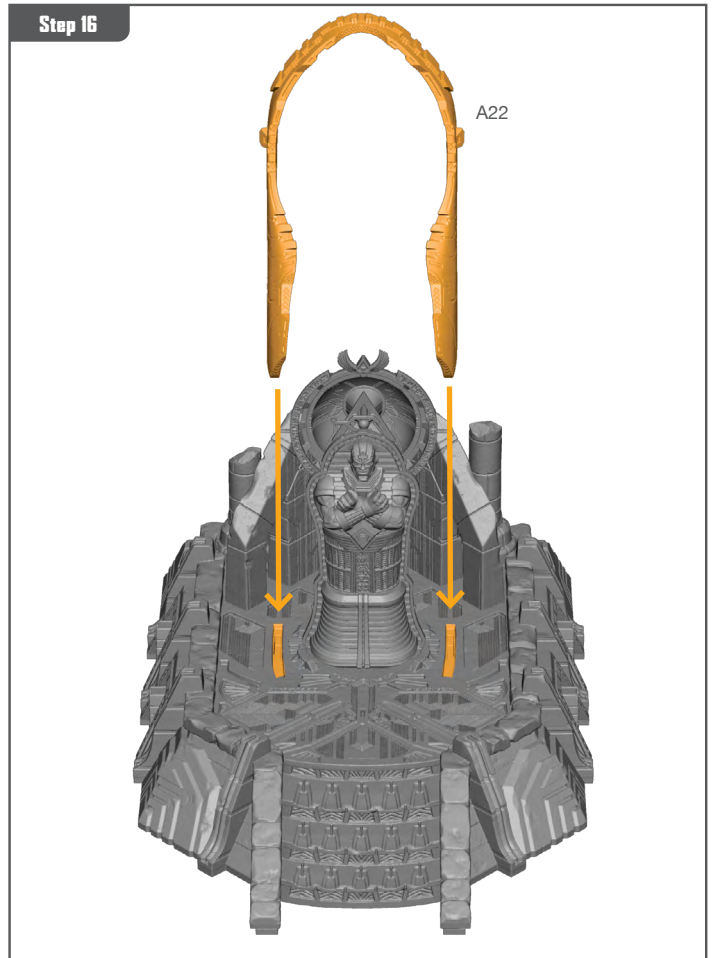
Step 14



Step 15



Step 16



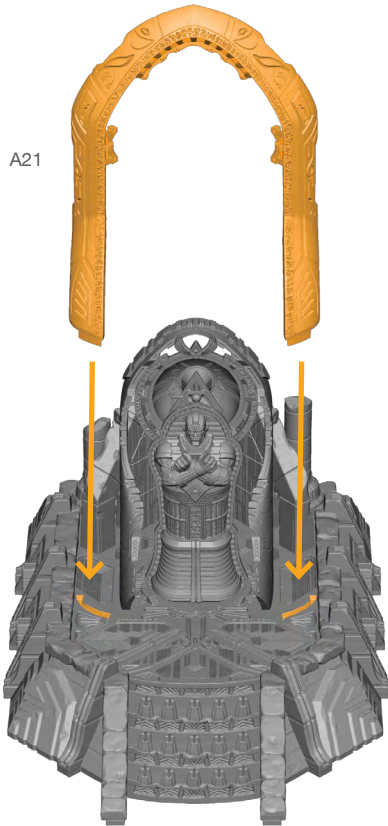
Permission granted to print or photocopy for personal use.



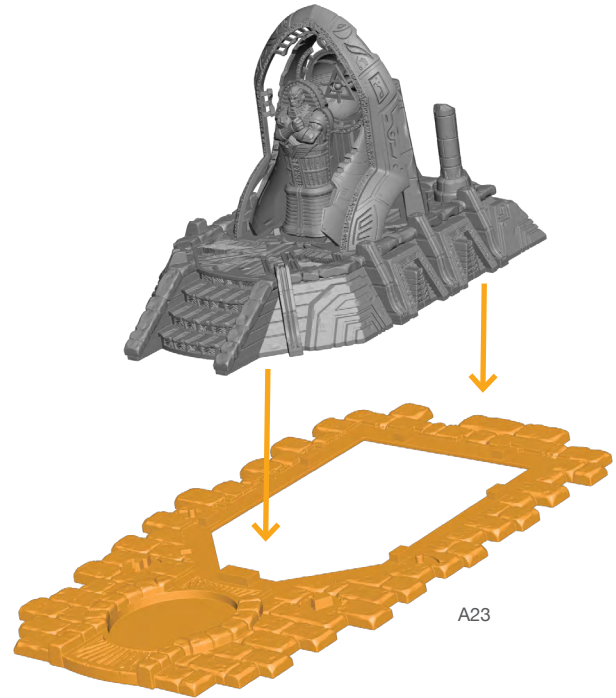
Atomic Mass Games and logo are TM of Atomic Mass Games.
Atomic Mass Games, 1995 County Road B2 W, Roseville, MN, 55113, USA, 1-651-639-1905.
Actual components may vary from those shown.

REJUVENATION CHAMBER ASSEMBLY GUIDE (A) CONTINUED

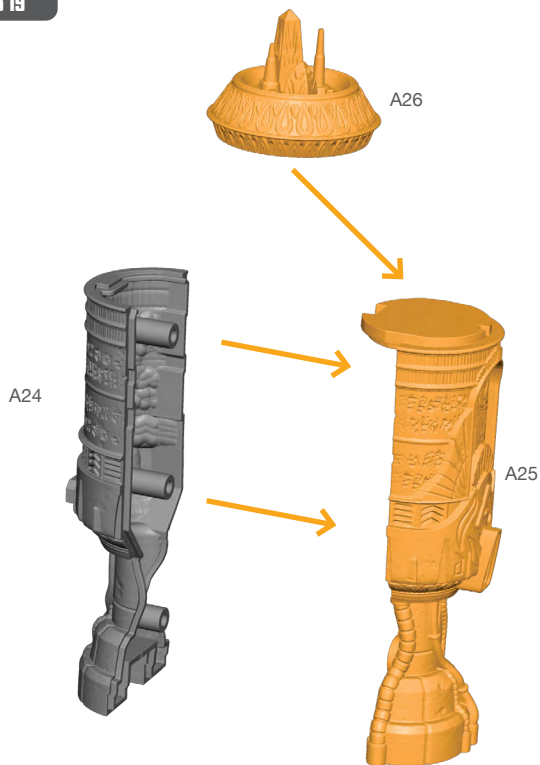
Step 17



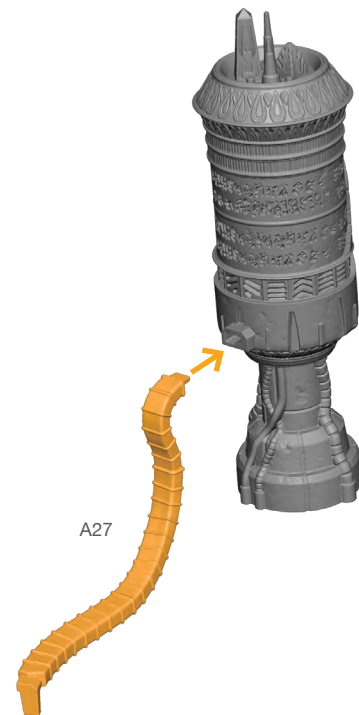
Step 18



Step 19



Step 20



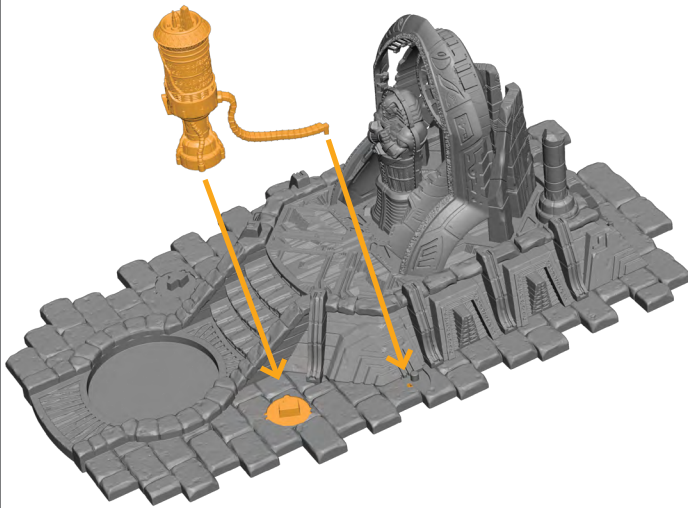
Permission granted to print or photocopy for personal use.



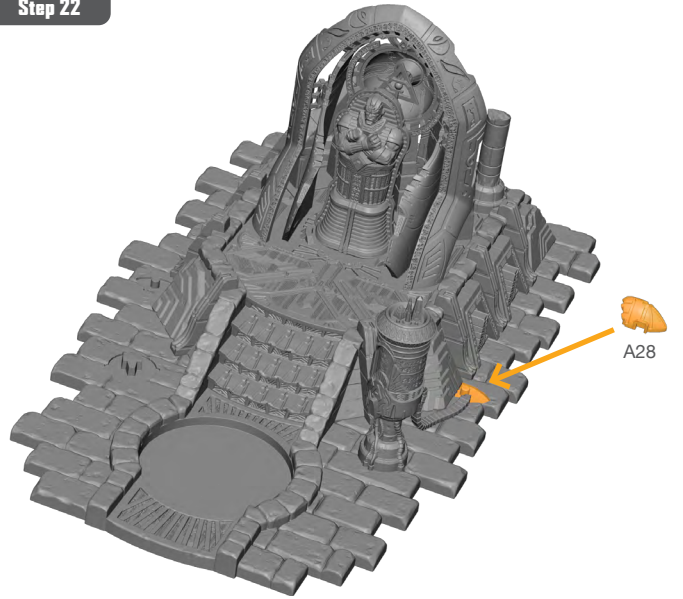
Atomic Mass Games and logo are TM of Atomic Mass Games.
Atomic Mass Games, 1995 County Road B2 W, Roseville, MN, 55113, USA, 1-651-639-1905.
Actual components may vary from those shown.

REJUVENATION CHAMBER ASSEMBLY GUIDE (A) CONTINUED

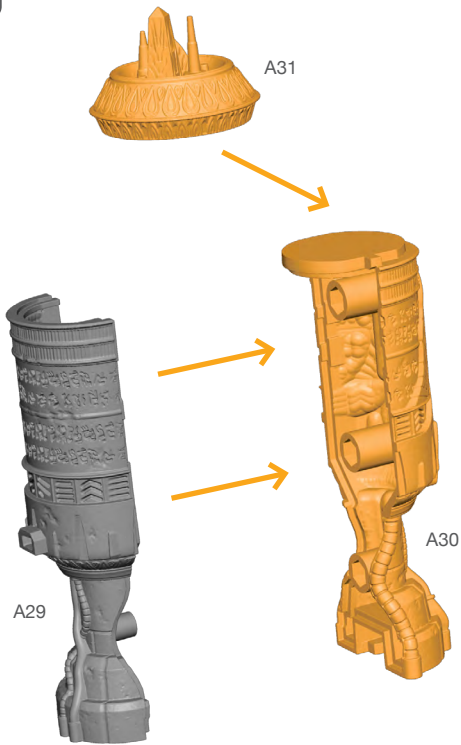
Step 21



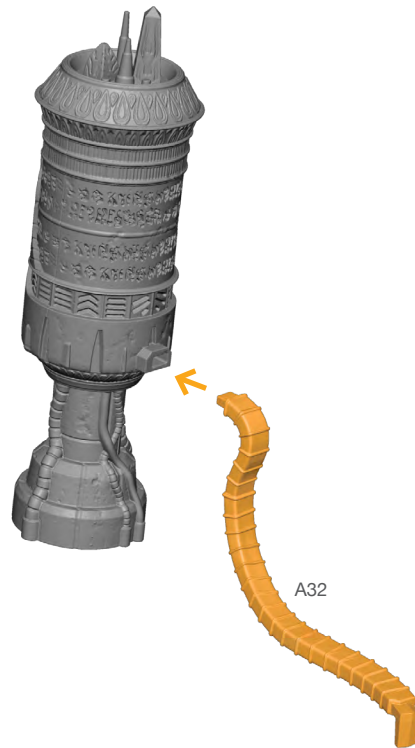
Step 22



Step 23



Step 24



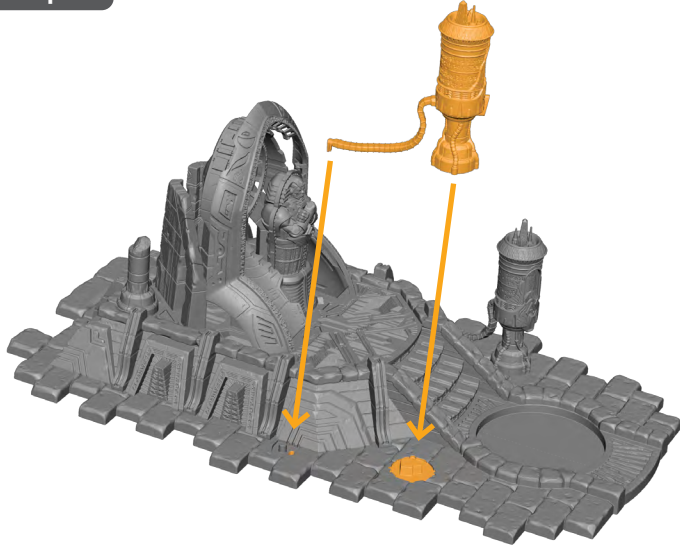
Permission granted to print or photocopy for personal use.



Atomic Mass Games and logo are TM of Atomic Mass Games.
Atomic Mass Games, 1995 County Road B2 W, Roseville, MN, 55113, USA, 1-651-639-1905.
Actual components may vary from those shown.

REJUVENATION CHAMBER ASSEMBLY GUIDE (A) CONTINUED

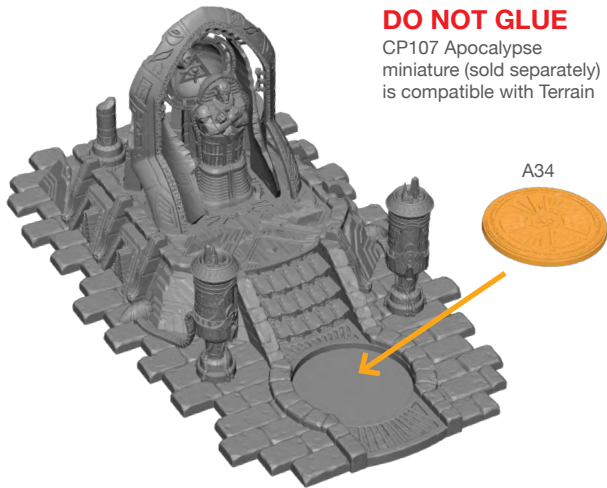
Step 25



Step 26



Step 27



Final



Permission granted to print or photocopy for personal use.



Atomic Mass Games and logo are TM of Atomic Mass Games.
Atomic Mass Games, 1995 County Road B2 W, Roseville, MN, 55113, USA, 1-651-639-1905.
Actual components may vary from those shown.