

MARVEL

CRISIS

PROTOCOL

MINIATURES GAME

READ THIS FIRST

Read through the instruction booklet before assembling your miniatures. Be sure to use a pair of sharp hobby clippers to remove the miniature components from the sprue. Carefully clean the excess material and mold lines with a sharp hobby knife. Check the fit of each part before gluing. Use a small amount of hobby plastic glue to assemble the components. Use caution with all products and follow all manufacturer instructions. Adult supervision is recommended for children under the age of 16. Have fun!

CREDITS

Marvel Crisis Protocol

Game and Character Design

William Shick

Lead Developer

Will Pagani

Sculpting Director

Dallas Kemp

Digital Engineering

Marco Segovia, Michael Jenkins

Sculptor

Luke Sheridan

Miniature Painting

Dallas Kemp

Marketing

Josh Colón

Graphic Design & Photography

Jessy Stetson

Editing

Darla Kennerud

Art Director

Zoë Robinson

Plastics Production Management

Justin Anger, Michael Blomberg

Print Production Management

Liza Lundgren, John Hannasch, Anne Kinner

Publisher

Steve Horvath

Marvel

Licensing Approvals

Brian Ng

Asmodee North America

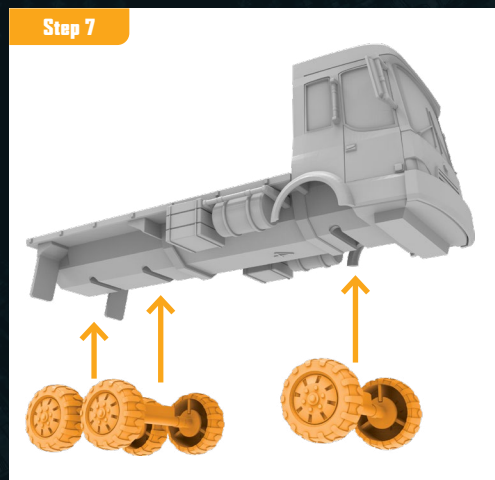
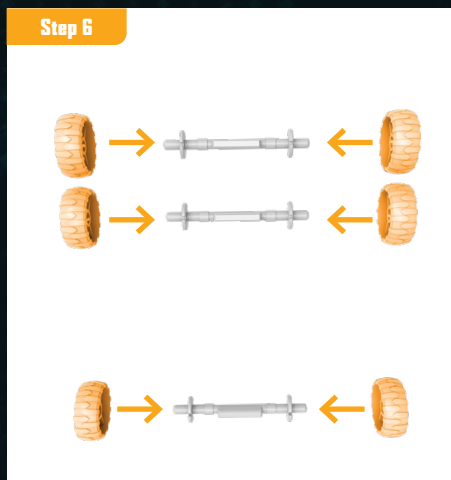
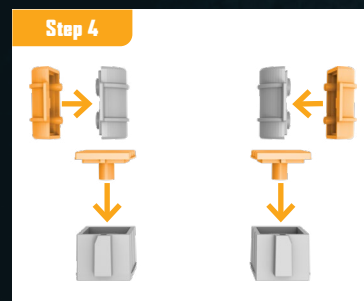
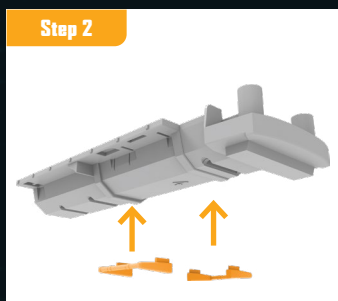
Licensing Coordinator

Sherry Anisi

Director of Licensing

Simone Elliott

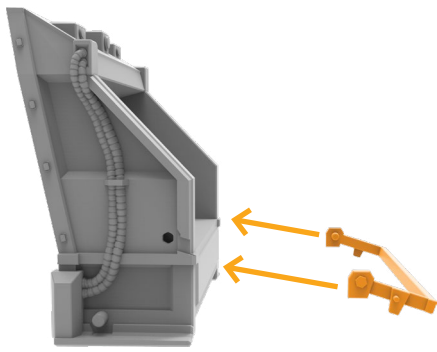
TRUCK ASSEMBLY GUIDE



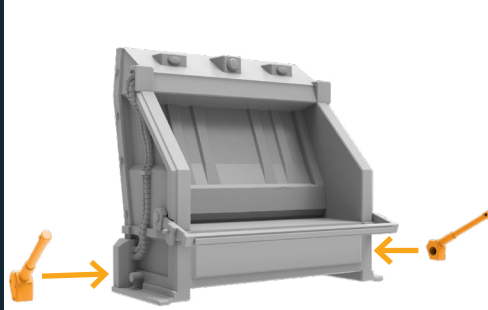
GARBAGE TRUCK ASSEMBLY

Continue with this guide to build the Garbage Truck

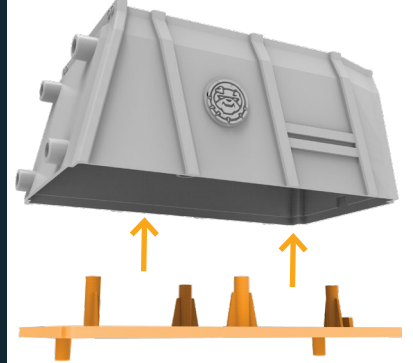
Step 8a



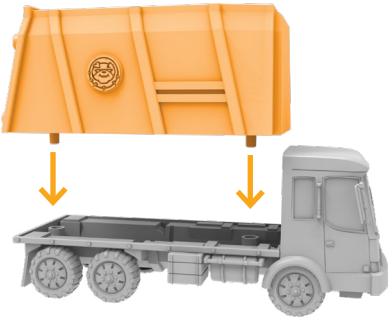
Step 9a



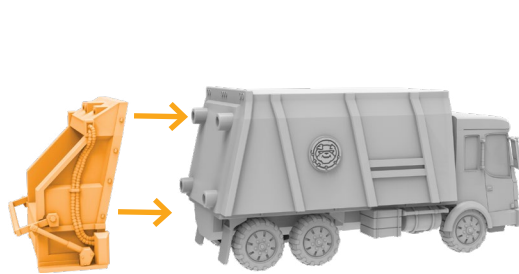
Step 10a



Step 11a



Step 12a



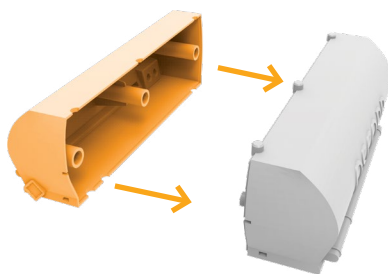
Step 13a



CHEMICAL TRUCK ASSEMBLY

Continue with this guide to build the Chemical Truck

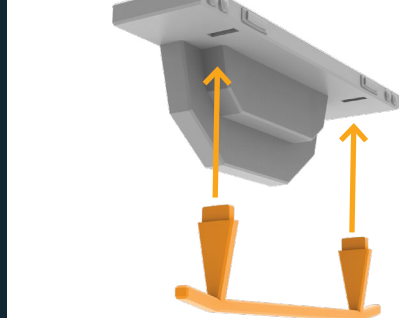
Step 8b



Step 9b



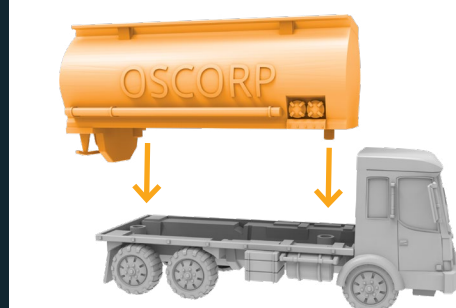
Step 10b



Step 11b



Step 12b



Step 13b

